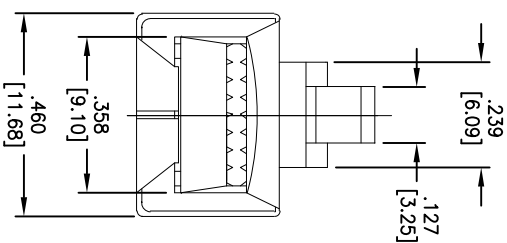
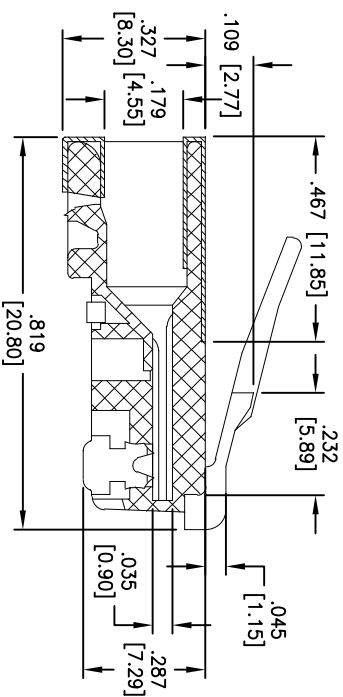
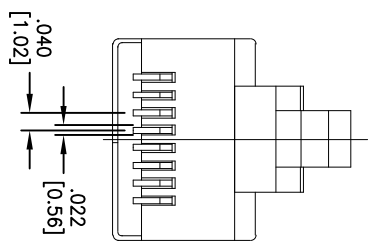
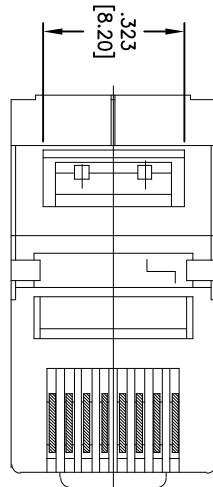


APPROVED: \_\_\_\_\_  
 DATE: \_\_\_\_\_ TITLE: \_\_\_\_\_

Rev	AWO #	Description	Date	Appr
-		RELEASED	5/27/08	
A		REVISED SHAPE	9/29/10	



"X"	GOLD PLATING
U	15 µin
W	30 µin
G	50 µin

REPLACE 'X' IN PART NUMBER WITH GOLD THICKNESS DESIGNATOR

**SPECIFICATIONS:**

- Material: Insulator: Polycarbonate, rated UL 94V-0
- Insulator color: Clear
- Contacts: Phosphor Bronze
- Plating: Gold over Nickel underplate overall, See chart for thickness
- Electrical: Operating voltage: 150 VAC max  
 Current rating: 1.5 Amps max  
 Insulation resistance: 500 Mohms min  
 Dielectric withstanding voltage: 1000 VAC for 1 minute  
 Temperature Rating: Operating temperature: -65°C to +125°C
- Environmental: Lead free, RoHS compliant.

**ADAM TECH**  
 909 Railway Avenue, Union, NJ 07083  
 Phone: 908-687-5000 Fax: 908-687-5710

UNLESS OTHERWISE SPECIFIED ALL DIMENSIONS ARE INCHES [MM]	
TOLERANCES: EXCEPT AS NOTED	
INCHES	HOLES
.X ± .10	Ø.X ± .10
.XX ± .020	Ø.XX ± .015
.XXX ± .015	Ø.XXX ± .010
APPROVALS	DATE
DRAWN SS	5/27/08
CHECKED	
APPROVED	

TITLE	MODULAR TELEPHONE PLUG, 8P8C
SIZE	EM1, CAT5e
PART NO.	MTPR-88-X-EMI
REF:	S00005C
SCALE:	NTS
SHEET	1 OF 1
REV.	A