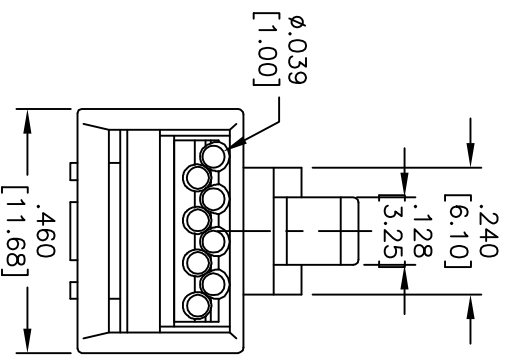
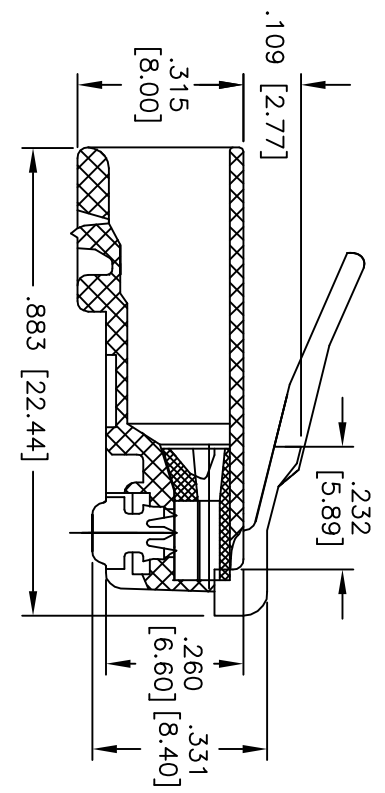
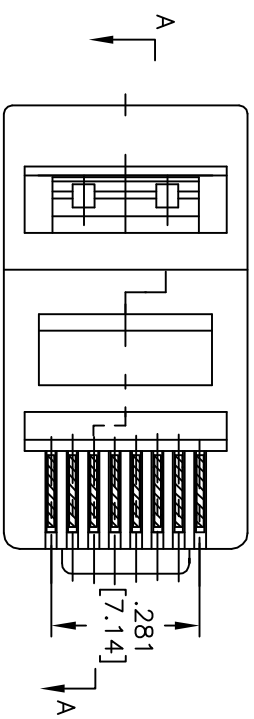


APPROVED: _____	DATE: _____	TITLE: _____
Rev	AWO #	Description
-		RELEASED
		Date
		1/11/11
		Appr



"X"	PLATING
U	15 $\mu$ in Gold
W	30 $\mu$ in Gold
G	50 $\mu$ in Gold

**SPECIFICATIONS:**

Material: Insulator: PC, rated UL 94V-2  
 Contacts: Copper Alloy  
 Plating: Gold over Nickel underplate on contact area  
 Electrical: Insulation resistance: 1000 Mohms min  
 Dielectric withstanding voltage: 1,000 VAC for 1 minute  
 Environmental: Lead free, RoHS compliant



UNLESS OTHERWISE SPECIFIED  
 ALL DIMENSIONS ARE INCHES [MM]  
 TOLERANCES: EXCEPT AS NOTED  
 INCHES Holes  
 .X ± .10 Ø.X ± .10  
 .XX ± .020 Ø.XX ± .015  
 .XXX ± .015 Ø.XXX ± .010  
 APPROVALS DATE

**ADAM TECH**  
 909 Railway Avenue, Union, NJ 07083  
 Phone: 908-687-5000 Fax: 908-687-5710

MODULAR TELEPHONE PLUG, 8P8C, CAT 6

DRAWN	DY	1/11/11
CHECKED		
APPROVED		

SIZE	PART NO.	REV.
X	MTP-88-X-S-C6	-
REF: S00003C	SCALE: NTS	SHEET 1 OF 1