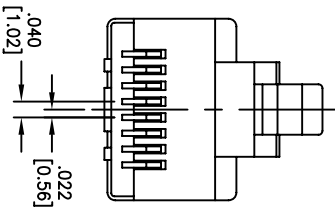
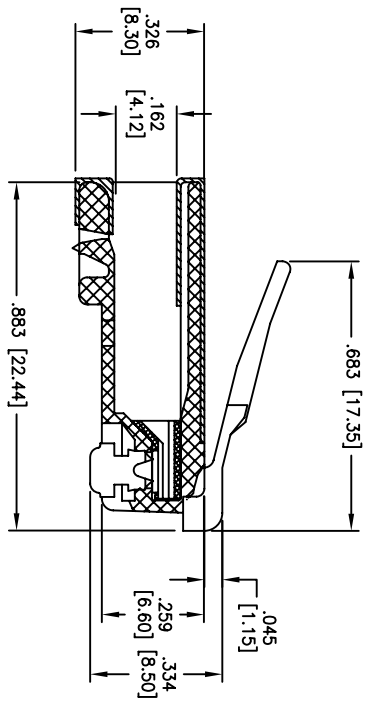
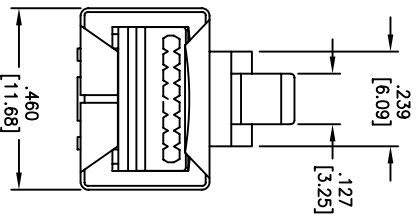
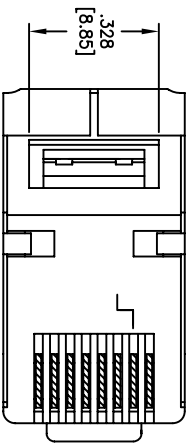


Rev	AWO #	Description	Date	Appr
-		RELEASED	4/17/07	

APPROVED: _____
 DATE: _____ TITLE: _____



SPECIFICATIONS:

Material: Insulator: Polycarbonate, rated UL 94V-0
 Insulator color: Clear
 Contacts: Phosphor Bronze
 Plating: 50 μ m Gold over Nickel underplate overall
 Electrical: Operating voltage: 150 VAC max
 Current rating: 1.5 Amps max
 Insulation resistance: 1000 Mohms min @ 500 VDC
 Dielectric withstanding voltage: 1000 VAC for 1 minute
 Temperature Rating: Operating temperature: -65°C to +125°C
 Environmental: Lead free, RoHS compliant.



ADAM TECH

909 Railway Avenue, Union, NJ 07083
 Phone: 908-687-5000 Fax: 908-687-5710

MODULAR TELEPHONE PLUG, 8P8C
 WITH INSERT, CATAGORY 5e, EMI

UNLESS OTHERWISE SPECIFIED ALL DIMENSIONS ARE INCHES [MM]	
TOLERANCES: EXCEPT AS NOTED	
INCHES	HOLDS
.X ± .10	ØX ± .10
.XX ± .020	ØXXX ± .015
.XXX ± .015	ØXXXX ± .010
APPROVALS	DATE
DRAWN	BW
CHECKED	
APPROVED	

REF:	SIZE	PART NO.	SCALE:	SHEET	REV.
	X	MTP-88-G-EMI-C5E	NTS	1 OF 1	-

6 5 4 3 2 1