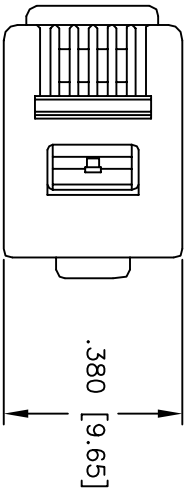
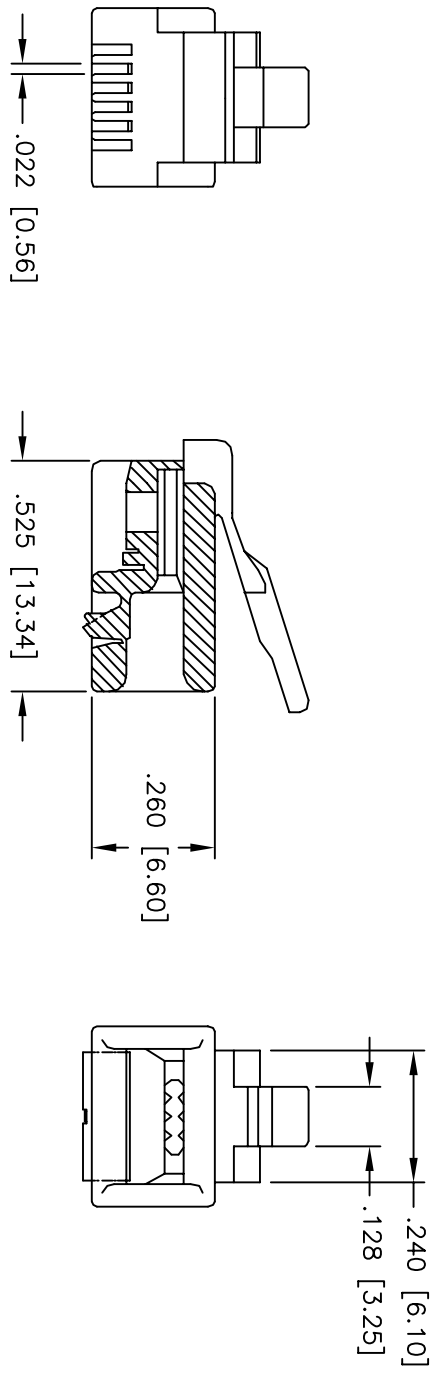


| Rev | AWO # | Description | Date | Appr |
|-----|-------|-------------|---------|------|
| - | | RELEASED | 12/1/04 | |

APPROVED: _____
 DATE: _____ TITLE: _____



| "X" | PLATING |
|-----|-------------|
| U | 15 µin Gold |
| W | 30 µin Gold |
| G | 50 µin Gold |

SPECIFICATIONS:

Material:
 Insulator: Polycarbonate, rated UL 94V-0
 Insulator color: Clear
 Contacts: Phosphor Bronze
 Plating:
 Gold over Nickel underplate on contact area

Electrical:
 Operating voltage: 150 VAC max
 Current rating: 1.5 Amps max
 Contact resistance: 20 mohms max
 Insulation resistance: 500 Mohms min @ 500 VDC
 Dielectric withstanding voltage: 1000 VAC for 1 minute

Temperature Rating:
 Operating temperature: -40°C to +70°C
 Environmental:
 Lead free, RoHS compliant



UNLESS OTHERWISE SPECIFIED
 ALL DIMENSIONS ARE INCHES [MM]
 TOLERANCES: EXCEPT AS NOTED

| | | | |
|-----------|--------|-------|--------|
| .X | ± .10 | ØXX | ± .10 |
| .XX | ± .020 | ØXXX | ± .015 |
| .XXX | ± .015 | ØXXXX | ± .010 |
| APPROVALS | DATE | | |

| | | |
|----------|----|---------|
| DRAWN | SS | 10/4/04 |
| CHECKED | | |
| APPROVED | | |

ADAM TECH

909 Railway Avenue, Union, NJ 07083
 Phone: 908-687-5000 Fax: 908-687-5710

TITLE: MODULAR TELEPHONE PLUG, 6P4C
 STANDARD OVAL WIRE TYPE

| | | |
|------|------------|--------------|
| SIZE | PART NO. | REV. |
| X | MTP-64-X | - |
| REF: | SCALE: NTS | SHEET 1 OF 1 |