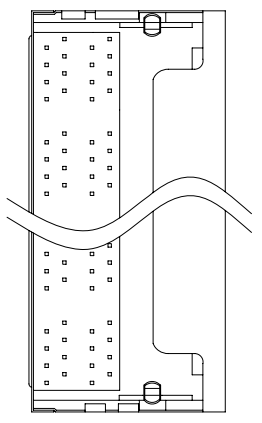
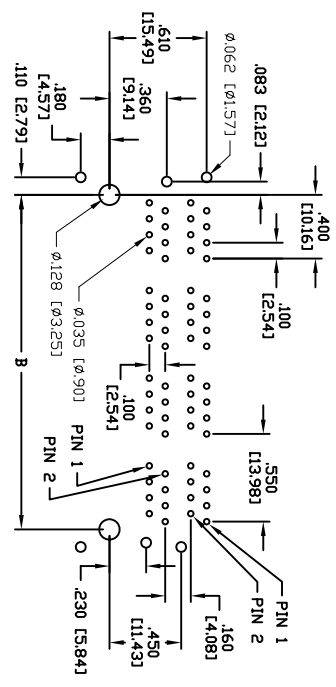
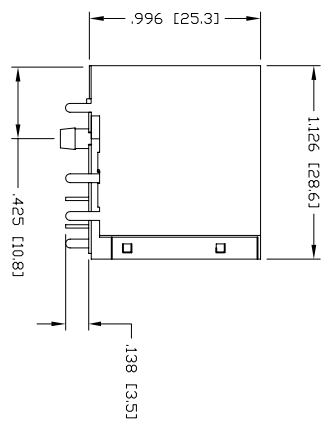
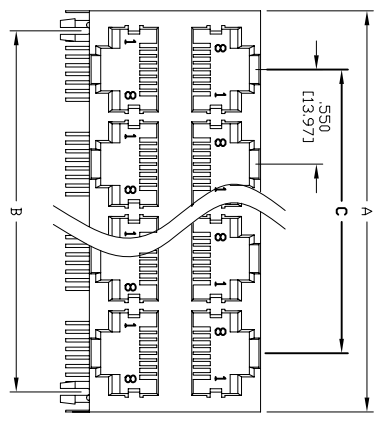


Rev	AWO #	Description	Date	Appr
-		RELEASED	4/15/05	

APPROVED: _____ TITLE: _____
 DATE: _____



PART NUMBER	PQRTS	DIMENSIONS		
		A	B	C
MTJG-2-88JX1-FSG	2 X 1	.680 [17.27]	.450 [11.43]	-
MTJG-6-88JX1-FSG	2 X 3	1.780 [45.21]	1.549 [39.34]	1.100 [27.94]
MTJG-8-88JX1-FSG	2 X 4	2.33 [59.18]	2.100 [53.34]	1.650 [41.91]
MTJG-12-88JX1-FSG	2 X 6	3.43 [87.10]	3.200 [81.28]	2.750 [69.85]

X	PLATING
0	15 μin Gold
1	30 μin Gold
2	50 μin Gold

SPECIFICATIONS:

Material:
 Insulator: Nylon 46, rated UL 94V-0
 Insulator color: Black
 Shield: Phosphor Bronze, Tin plated
 Contacts: Phosphor Bronze
 Plating:
 Gold over Nickel underplate on contact area, Tin over Copper underplate on SMT tails (See chart)
Electrical:
 Operating voltage: 150 VAC max
 Current rating: 1.5 Amps max
 Contact resistance: 20 mohms max
 Insulation resistance: 500 Mohms min @ 500 VDC
 Dielectric withstanding voltage: 1000 VAC for 1 minute
Temperature Rating:
 Operating temperature: -40°C to +70°C
Environmental:
 Lead free, RoHS compliant.
 Recommended soldering temp: 235°C for 5 sec.



UNLESS OTHERWISE SPECIFIED ALL DIMENSIONS ARE INCHES [MM]	
TOLERANCES: EXCEPT AS NOTED	
INCHES	HOLDS
.X ± .10	Ø.X ± .10
.XX ± .020	Ø.XX ± .015
.XXX ± .015	Ø.XXX ± .010
APPROVALS	DATE
DRAWN	SS
CHECKED	
APPROVED	

ADAM TECH
 909 Rahway Avenue, Union, NJ 07083
 Phone: 908-687-5000 Fax: 908-687-5710

TITLE: MODULAR GANGED AND STACKED RJ45
 RIGHT ANGLE, PCB

SIZE: PART NO. MTJG-X-88JX1-FSG

REF:	SCALE: NTS	SHEET 1 OF 1
------	------------	--------------