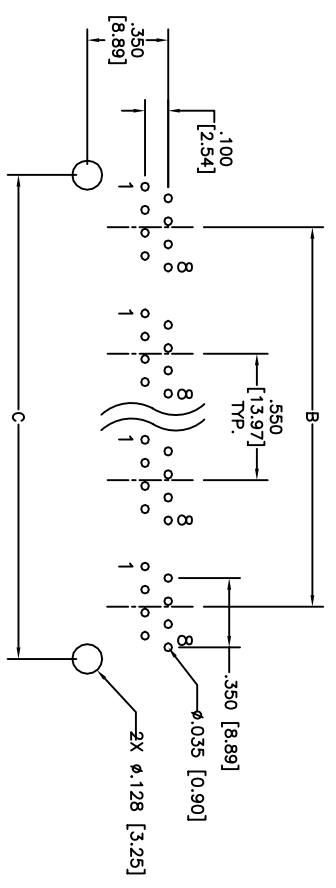
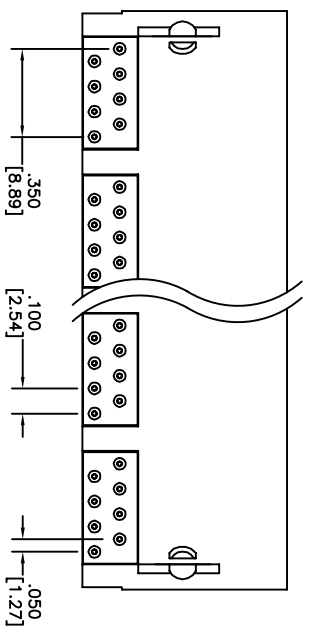
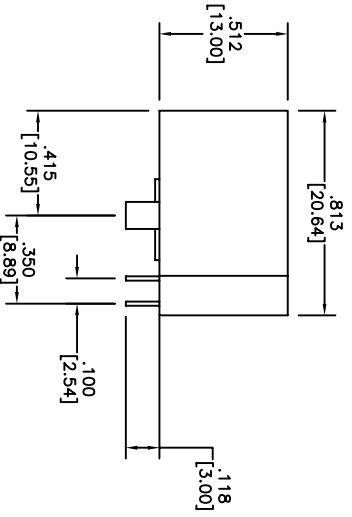
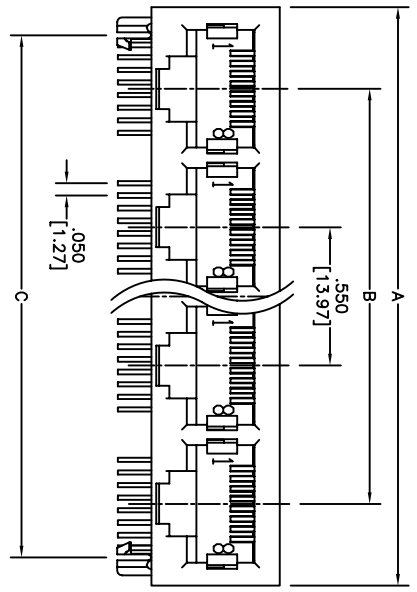


Rev	AWO #	Description	Date	Appr
-		RELEASED	6/16/08	

APPROVED: _____
 DATE: _____ TITLE: _____



Recommended PCB Layout

PLATING	0	15	30	50
15 μin Gold				
30 μin Gold				
50 μin Gold				

PART NUMBER	PORTS	A			B			C		
		in	mm	in	mm	in	mm	in	mm	
MTJG-2-88GX1	1x2	1.199	30.46	.550	13.97	1.00	25.40			
MTJG-4-88GX1	1x4	2.299	58.40	1.650	41.91	2.100	53.34			
MTJG-6-88GX1	1x6	3.399	86.34	2.750	69.85	3.200	81.30			
MTJG-8-88GX1	1x8	4.499	114.28	3.850	97.79	4.300	109.22			

ADAM TECH

909 Railway Avenue, Union, NJ 07083
 Phone: 908-687-5000 Fax: 908-687-5710

TITLE: MODULAR TELEPHONE JACK, GANGED 8P8C,
 RIGHT ANGLE, PCB

SPECIFICATIONS:
 Material: Insulator: PA66, 30% glass reinforced, rated UL 94V-0
 Insulator color: Black
 Contacts: Phosphor Bronze
 Contact Plating: Gold Flash over Nickel underplate on contact area, Tin over Copper underplate on tails
 (See chart for thickness).
 Electrical: Operating voltage: 125 VAC max
 Current rating: 1.5 Amps max
 Contact Resistance: 20 mohms max. initial
 Insulation resistance: 1,000 Mohms min @ 500 VDC
 Dielectric withstanding voltage: 1000 VAC for 1 minut
 Temperature Rating: Operating temperature: -40°C to +70°C
 Environmental: Lead free, RoHS compliant.
 Recommended soldering temp: 235°C for 5 sec.



UNLESS OTHERWISE SPECIFIED
 ALL DIMENSIONS ARE INCHES [MM]
 TOLERANCES: EXCEPT AS NOTED
 INCHES: .X ±.10 Ø.X ±.10
 .XX ±.020 .XXX ±.015
 .XXX ±.015 Ø.XXX ±.010
 APPROVALS: _____ DATE: _____

DRAWN	SS	6/16/08	SIZE	PART NO.	REV.
CHECKED			X	MTJG-X-88GX1	
APPROVED			REF:	SCALE: NTS	SHEET 1 OF 1