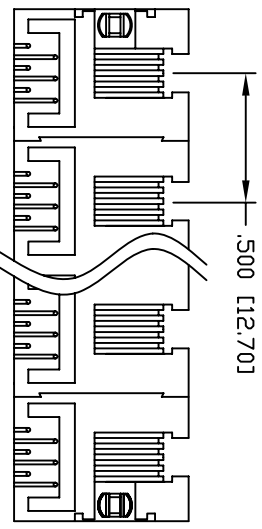
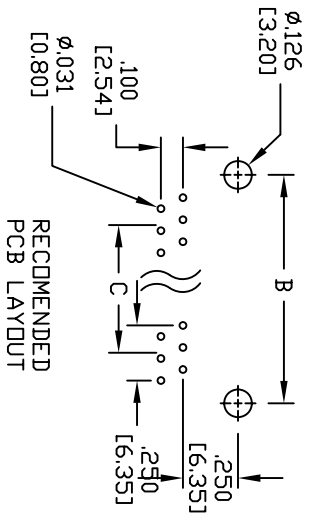
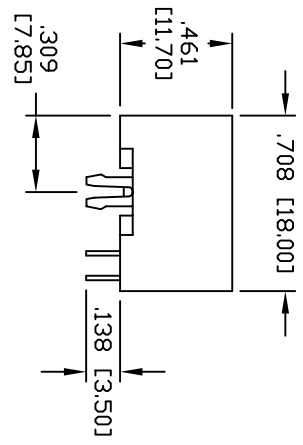
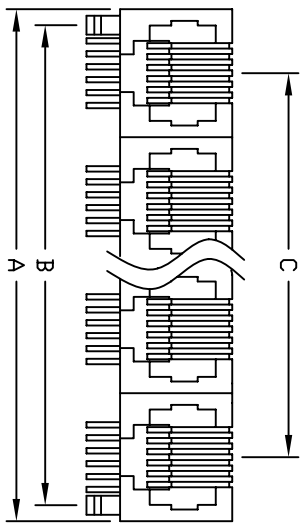


Rev	AWO #	Description	Date	Appr
-		RELEASED	10/4/04	

APPROVED: \_\_\_\_\_  
 DATE: \_\_\_\_\_ TITLE: \_\_\_\_\_



A = .500 [12.70] X (No. of Ports - 1) = .519 [13.20]  
 B = .500 [12.70] X (No. of Ports - 1) + .400 [10.16]  
 C = .500 [12.70] X No. of Ports - 1

X	PLATING
0	15 $\mu$ m Gold
1	30 $\mu$ m Gold
2	50 $\mu$ m Gold

**SPECIFICATIONS:**  
 Material: Insulator: PBT, rated UL 94V-0  
 Insulator color: Black  
 Contacts: Phosphor Bronze  
 Plating: Gold over Nickel underplate on contact area, Tin over Copper underplate on PCB tails  
 Electrical: Operating voltage: 150 VAC max  
 Current rating: 1.5 Amps max  
 Contact resistance: 20 mohms max  
 Insulation resistance: 500 Mohms min @ 500 VDC  
 Dielectric withstanding voltage: 1000 VAC for 1 minute  
 Temperature Rating: Operating temperature: -40°C to +125°C  
 Environmental: Lead free, RoHS compliant.  
 Recommended soldering temp: 235 for 5 sec.

# ADAM TECH

909 Rahway Avenue, Union, NJ 07083  
 Phone: 908-687-5000 Fax: 908-687-5710

MODULAR TELEPHONE JACK, 6P6C  
 RIGHT ANGLE, GANGED, PCB

UNLESS OTHERWISE SPECIFIED ALL DIMENSIONS ARE INCHES [MM]	
TOLERANCES: EXCEPT AS NOTED	
INCHES	HOLDS
.X ± .10	Ø.X ± .10
.XX ± .020	Ø.XXX ± .015
.XXX ± .015	Ø.XXX ± .010
APPROVALS	DATE
DRAWN	SS
CHECKED	
APPROVED	

TITLE		PART NO.		REV.
MODULAR TELEPHONE JACK, 6P6C		MTJG-X-665X1		-
RIGHT ANGLE, GANGED, PCB		SCALE: NTS	SHEET 1 OF 1	

