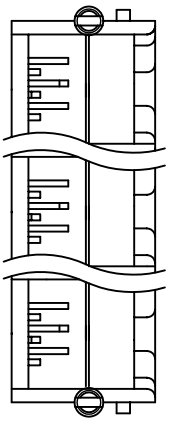
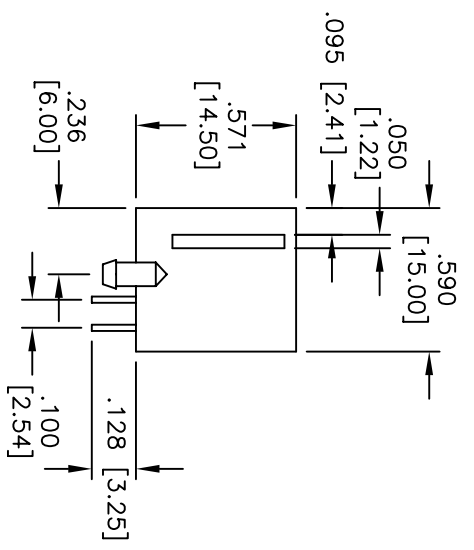
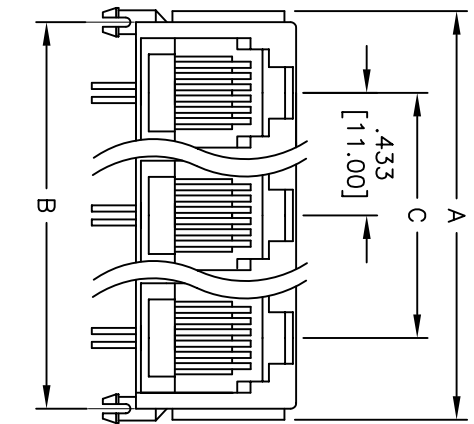


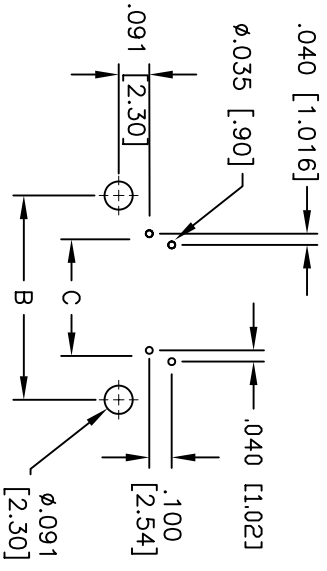
| Rev | AWO # | Description | Date    | Appr |
|-----|-------|-------------|---------|------|
| -   |       | RELEASED    | 11/3/05 |      |

APPROVED: \_\_\_\_\_  
 DATE: \_\_\_\_\_ TITLE: \_\_\_\_\_



A = .433 [11.00] x No. of Ports + .100 [2.54]  
 B = .433 [11.00] x No of Ports + .020 [0.50]  
 C = .433 [11.00] x No of Ports - 1

| X | PLATING     |
|---|-------------|
| 0 | 15 µin Gold |
| 1 | 30 µin Gold |
| 2 | 50 µin Gold |



PCB LAYOUT

**SPECIFICATIONS:**  
 Material: Insulator: PBT, rated UL 94V-0  
 Insulator color: Black  
 Contacts: Phosphor Bronze  
 Plating: Gold over Nickel underplate on contact area, Tin over Copper underplate on PCB tails  
 Electrical: Operating voltage: 150 VAC max  
 Current rating: 1.5 Amps max  
 Contact resistance: 20 mohms max  
 Insulation resistance: 500 Mohms min @ 500 VDC  
 Dielectric withstanding voltage: 1000 VAC for 1 minute  
 Temperature Rating: Operating temperature: -40°C to +125°C

Environmental: Lead free, RoHS compliant.  
 Recommended soldering temp: 230 for 5 sec.



**ADAM TECH**

909 Rahway Avenue, Union, NJ 07083  
 Phone: 908-687-5000 Fax: 908-687-5710

TITLE: GANGED MODULAR TELEPHONE JACK, 6P6C  
 RIGHT ANGLE, PCB

| UNLESS OTHERWISE SPECIFIED<br>ALL DIMENSIONS ARE INCHES [MM] |              |
|--|--------------|
| TOLERANCES: EXCEPT AS NOTED                                  |              |
| INCHES   | HOLDS        |
| .X ± .10   | ØX ± .10     |
| .XX ± .020   | ØXXX ± .015  |
| .XXX ± .015  | ØXXXX ± .010 |
| APPROVALS  |              |
| DRAWN  | SS           |
| CHECKED  |              |
| APPROVED   |              |
| DATE   | 11/03/05     |

| SIZE       | PART NO.     | REV. |
|------------|--------------|------|
| X          | MTJG-X-622X1 | -    |
| SCALE: NTS | SHEET 1 OF 1 |      |