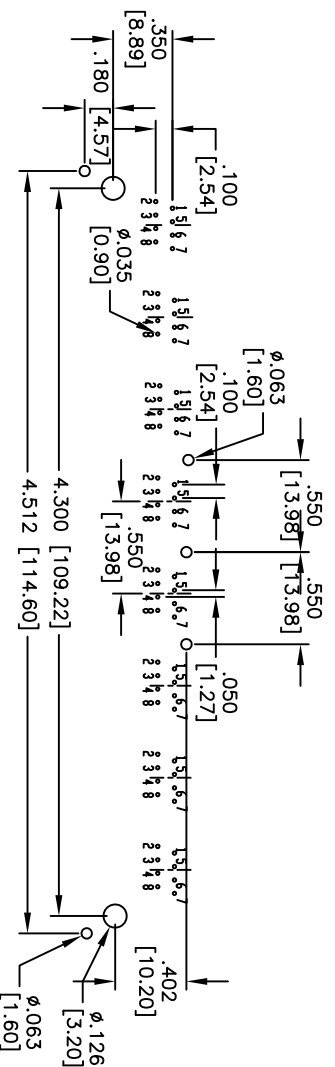
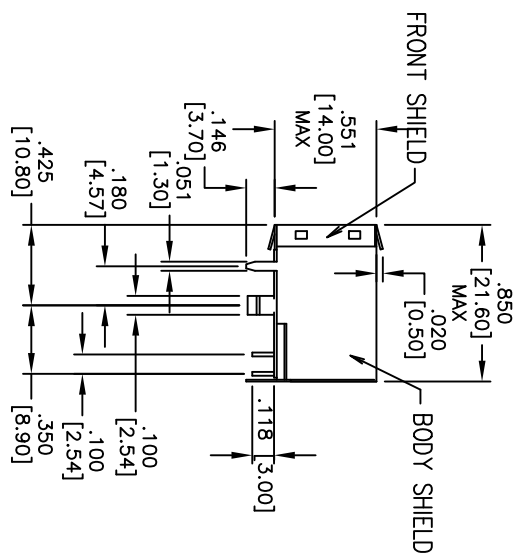
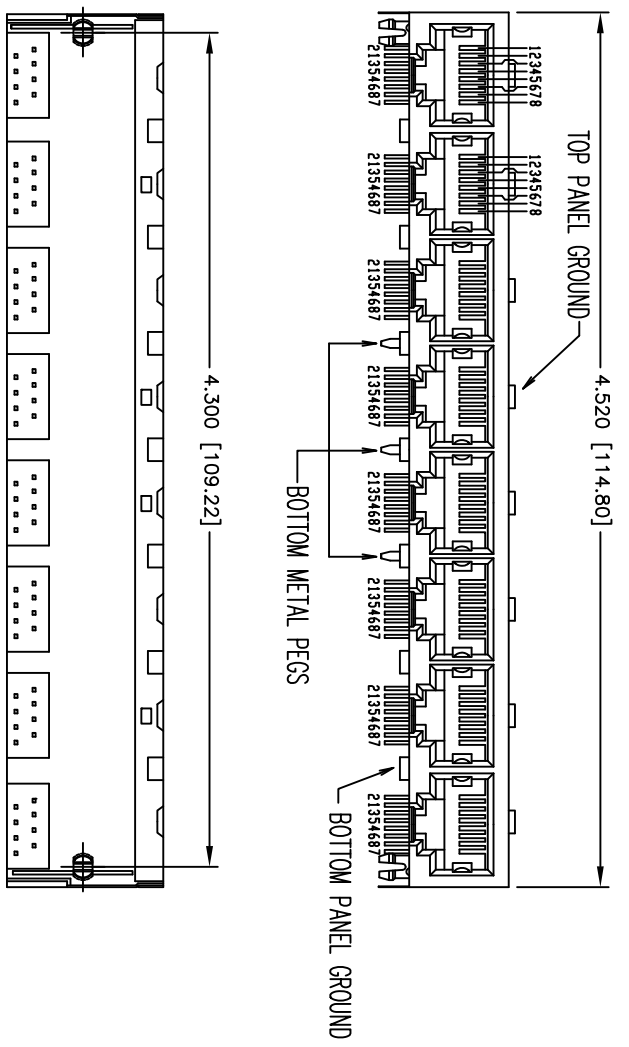


Rev	AWO #	Description	Date	Appr
-	9679	RELEASED	8/28/09	

APPROVED: _____ TITLE: _____
 DATE: _____



RECOMMENDED PCB LAYOUT

SPECIFICATIONS:

Material:
 Insulator: PBT, rated UL 94V-0
 Insulator color: Black
 Contacts: Phosphor Bronze
 Shield: Copper Alloy, Nickel plated
 Plating:
 Gold over Nickel underplate on contact area,
 Tin over Copper underplate on PCB tails.
 (See chart for thickness)

Electrical:

Operating voltage: 150 VAC max
 Current rating: 1.5 Amps max
 Contact resistance: 20 mohms max
 Insulation resistance: 1000 Mohms min @ 500 VDC
 Dielectric withstanding voltage: 1000 VAC for 1 minute
 Temperature Rating:
 Operating temperature: -40°C to +125°C
 Environmental:
 Lead free, RoHS compliant.
 Recommended soldering temp: 235°C for 5 sec.

"X"	PLATING
0	15 uin Gold
1	30 uin Gold
2	50 uin Gold

UNLESS OTHERWISE SPECIFIED
 ALL DIMENSIONS ARE MM [INCHES]
 TOLERANCES: EXCEPT AS NOTED
 INCHES

.X	± .10	ØX	± .10
.XX	± .020	ØXX	± .015
.XXX	± .015	ØXXX	± .010

HOLDS

ADAM TECH

909 Rahway Avenue, Union, NJ 07083
 Phone: 908-687-5000 Fax: 908-687-0214

MODULAR TELEPHONE JACK, R/A
 GANGED, PCB, 8 PORT, 8P8C, CAT 5e

TITLE	SIZE	PART NO.	REV.
MODULAR TELEPHONE JACK, R/A GANGED, PCB, 8 PORT, 8P8C, CAT 5e	X	MTJG-8-88TX1-FSG-PG-C5E	
APPROVALS	DATE	SCALE	SHEET 1 OF 1
DRAWN	8/28/09	SCALE: NTS	
CHECKED			
APPROVED			

