

6

5

4

3

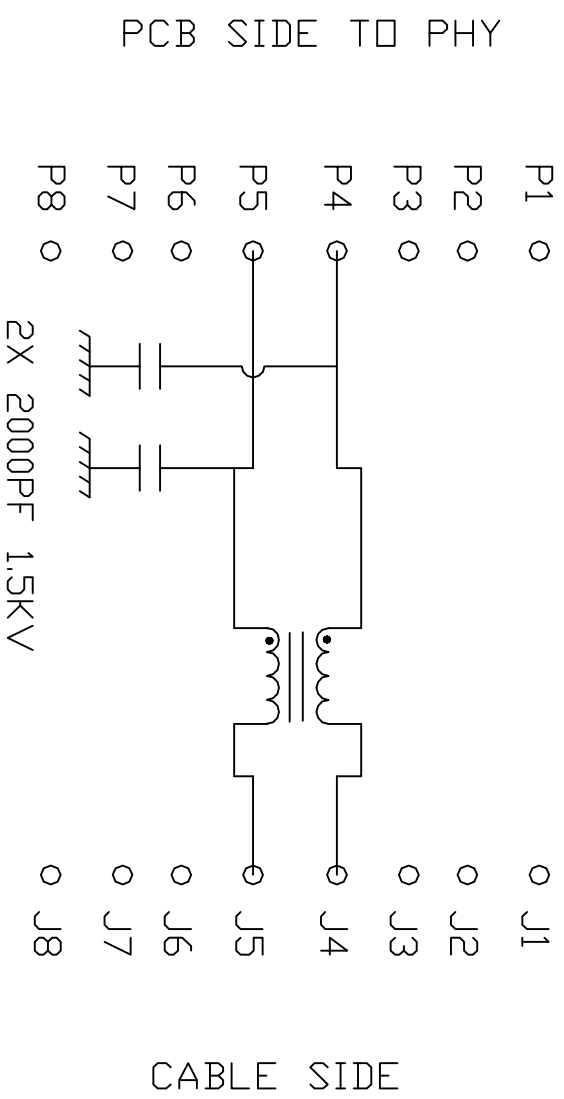
2

1

Rev	AWO #	Description	Date	Appr
		SEE SH1 1 OF 2 REVISION		

APPROVED: _____

DATE: _____ TITLE: _____



PCB SIDE TO PHY

CABLE SIDE

ELECTRICAL CHARACTERISTICS:
 Inductance: P4-J4=P5-J5 4mH nominal @10KHz, 0.1Vrms
 DCR: P4-J4=P5-J5 0.5 ohms max
 CURRENT RATING: 280mA continuous
COMMON MODE ATTENUATION:
 1MHz 50dB TYPICAL
 5MHz 55dB TYPICAL
 20MHz 65dB TYPICAL
 70MHz 40dB TYPICAL
 200MHz 25dB TYPICAL
 500MHz 20dB TYPICAL



UNLESS OTHERWISE SPECIFIED ALL DIMENSIONS ARE MM [INCHES] TOLERANCES: EXCEPT AS NOTED	
.X INCHES	±.10
.XX	±.020
.XXX	±.015
ØX	±.10
ØXXX	±.015
ØXXX	±.010
APPROVALS	DATE
DRAWN	DY
CHECKED	8/24/10
APPROVED	

ADAM TECH
 909 Rahway Avenue, Union, NJ 07083
 Phone: 908-687-5000 Fax: 908-687-0214

MODULAR TELEPHONE JACK, R/A
GANGED, PCB, 8 PORT, 8P8C

SIZE	PART NO.	REV.
X	MTJG-8-88TX1-FSB-PG-M117	-
REF:	S0067	SCALE: NTS
		SHEET 2 OF 2

6

5

4

3

2

1