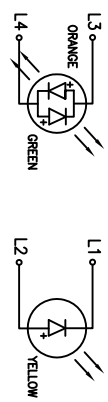
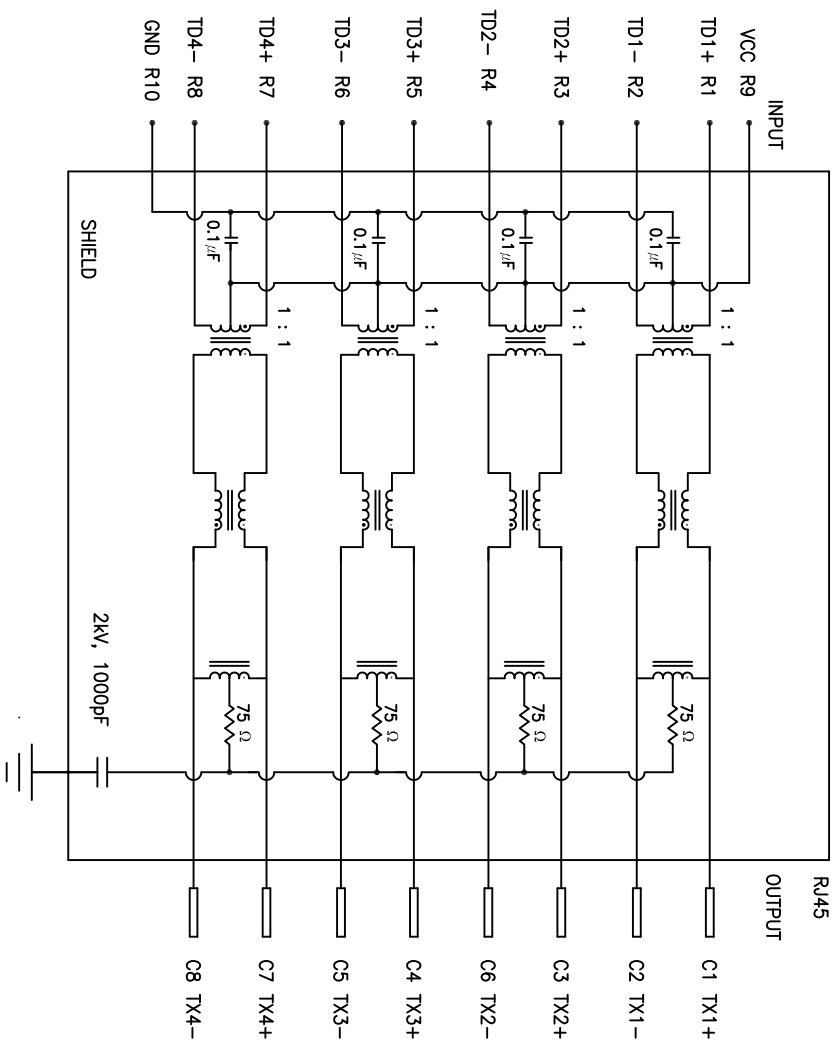


Rev	AWO #	Description	Date	Appr
		SEE SHT 1 OF 2 FOR REVISION		

APPROVED: _____

DATE: _____ TITLE: _____



SPECIFICATIONS:

Transmitter filter & Receiver filter

Type: Balance low pass 100Ω impedance

Insertion loss: 1~100MHz-1.0dB MAX.

Return loss: 1~30MHz-18dB MIN. load 100Ω

30~60MHz-16dB MIN. load 100Ω

60~80MHz-12dB MIN. load 100Ω

80~100MHz-10dB MIN. load 100Ω

Common Mode Rejection

@1~100MHz-30dB MIN.

@1~100MHz-30dB MIN.

Cross Talk

@1~100MHz-30dB MIN.

INDUCTANCE@100KHz, 0.1V, 8mA DC BIAS

Input(R1-R2), Input(R3-R4): 350uH MIN.

Input(R5-R6), Input(R7-R8): 350uH MIN.

HiPot TEST

Input(R1-R2) to Output(C1-C2): 1500 VAC, 60sec or 2250VDC, 60sec

Input(R3-R4) to Output(C3-C6): 1500 VAC, 60sec or 2250VDC, 60sec

Input(R5-R6) to Output(C4-C5): 1500 VAC, 60sec or 2250VDC, 60sec

Input(R7-R8) to Output(C7-C8): 1500 VAC, 60sec or 2250VDC, 60sec

UNLESS OTHERWISE SPECIFIED
ALL DIMENSIONS ARE IN INCHES [MM]
TOLERANCES: EXCEPT AS NOTED

INCHES: .X ±.10 Ø.X ±.015
.XX ±.020 Ø.XX ±.015
.XXX ±.015 Ø.XXX ±.010

APPROVALS: DRAWN DY 1/13/11

CHECKED

APPROVED

ADAM TECH

909 Rahway Avenue, Union, NJ 07083

Phone: 908-687-5000 Fax: 908-687-5710

TITLE: MODULAR JACK GANGED, 8 PORT, 8P8C
W/ LED1 ORANGE/GREEN, LED2 YELLOW

SIZE	PART NO.	REV.
X	MTJG-8-88JX1-V-FS-PG-LL-M118	-
REF:	S0007T	SCALE: NTS
		SHEET 2 OF 2