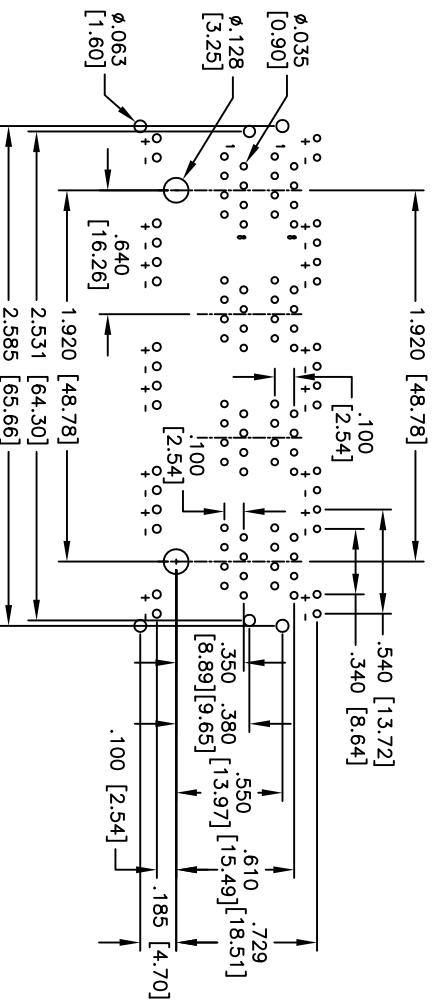
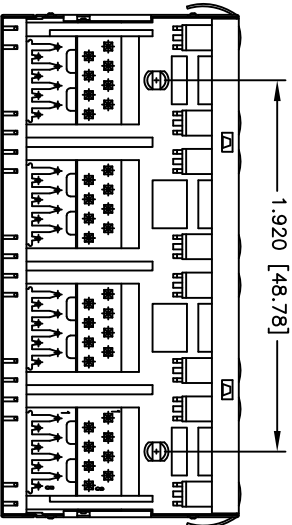
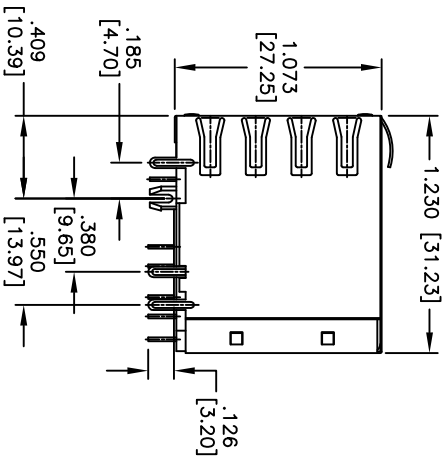
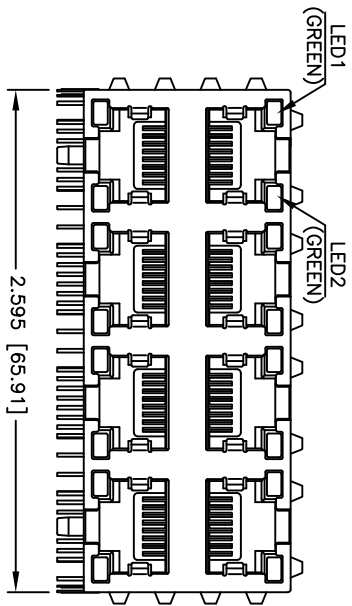


Rev	AWO #	Description	Date	Appr
-		RELEASED	12/08/10	

APPROVED: _____
 DATE: _____ TITLE: _____



RECOMMENDED PCB LAYOUT

SPECIFICATIONS:
 Material: Insulator: PBT, rated UL 94V-0
 Insulator color: Black
 Contacts: Phosphor Bronze
 Shield: Copper Alloy, Nickel plated
 Plating:
 Gold over Nickel underplate on contact area,
 Tin over Copper underplate on PCB tails.
 (See chart for thickness)

Electrical:
 Operating voltage: 125 VAC max
 Current rating: 1.5 Amps max
 Contact resistance: 30 mohms
 Insulation resistance: 1000 Mohms min @ 500 VDC
 Dielectric strength: 1000 VAC for 1 minute
 Temperature Rating:
 Operating temperature: -40°C to +85°C

Environmental:
 Lead free, RoHS compliant.
 Recommended soldering temp: 235°C for 5 sec.



"X" PLATING	PLATING
0	15 uin Gold
1	30 uin Gold
2	50 uin Gold

UNLESS OTHERWISE SPECIFIED
 ALL DIMENSIONS ARE MM [INCHES]
 TOLERANCES: EXCEPT AS NOTED
 INCHES

HOLE	±	HOLE	±
X	.10	ØXX	.10
.XX	.020	ØXXX	.015
.XXX	.015	ØXXXX	.010

APPROVALS	DATE
DRAWN	DY
CHECKED	
APPROVED	

ADAM TECH
 909 Rehway Avenue, Union, NJ 07083
 Phone: 908-687-5000 Fax: 908-687-0214

**MODULAR JACK GANGED, 8 PORT, 8P8C
 W/ LED1 GREEN, LED2 GREEN**

SIZE	PART NO.	REV.
X	MTJG-8-88JX1-FS-PG-LD-SPB	-

REF.	SCALE	SHEET	1 OF 1
S00167	NTS		

6

5

4

3

2

1