

6

5

4

3

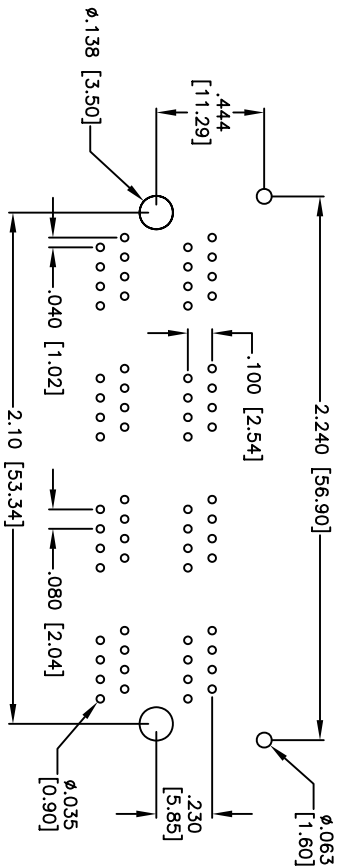
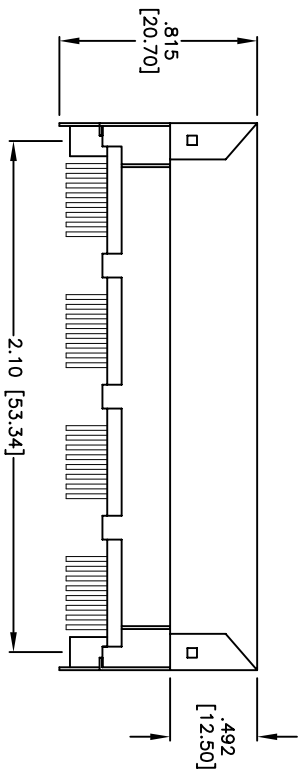
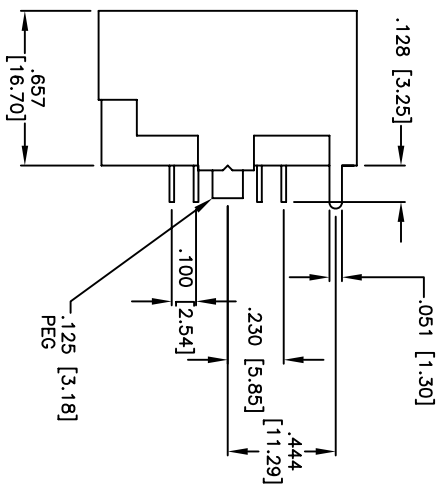
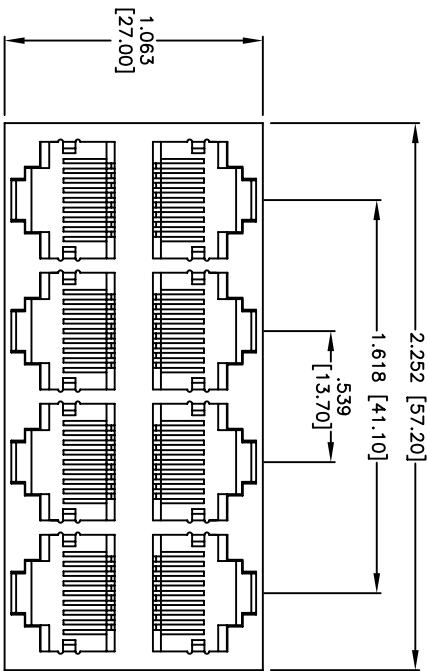
2

1

APPROVED: _____

DATE: _____ TITLE: _____

Rev	AWO #	Description	Date	Appr
-		RELEASED	5/18/05	
A		REVISED SOPE OF DIM.	3/27/08	
B		REVISED SHIELDED DIM.	5/23/08	



RECOMMENDED PCB LAYOUT (TOP VIEW)

SPECIFICATIONS:

- Material: Insulator: PBT, glass reinforced, rated UL 94V-0
- Insulator color: Black
- Contacts: Phosphor Bronze
- Shield: Phosphor Bronze Nickel or Tin plated
- Plating: Gold over Nickel underplate overall.
- (See chart for thickness)
- Electrical:
 - Operating voltage: 150 VAC max
 - Current rating: 1.5 Amps max
 - Contact resistance: 20 mohms max
 - Insulation resistance: 500 Mohms min
 - Dielectric withstanding voltage: 1000 VAC for 1 minute
- Temperature Rating:
 - Operating temperature: -40C to +70C
- Environmental:
 - Lead free, RoHS compliant.
 - Recommended soldering temp: 230 for 5 sec.

X	PLATING
0	15 Tin Gold
1	30 Tin Gold
2	50 Tin Gold

UNLESS OTHERWISE SPECIFIED
ALL DIMENSIONS ARE INCHES [MM]
TOLERANCES: EXCEPT AS NOTED

HOLDERS	HOLDERS
.X ± .10	Ø.X ± .10
.XX ± .020	Ø.XXX ± .015
.XXX ± .015	Ø.XXXX ± .010

APPROVALS: _____ DATE: _____

ADAM TECH

909 Railway Avenue, Union, NJ 07083
Phone: 908-687-5000 Fax: 908-687-5710

TITLE: 8 PORT GANGED VERTICAL JACK
8P8C

DRAWN	SS	5/18/05
CHECKED		
APPROVED		

SIZE	PART NO.	REV.
X	MTJG-8-88CX1-S	B
REF:	SCALE: NTS	SHEET 1 OF 1

A

B

C

D

A

B

C

D

6

5

4

3

2

1

