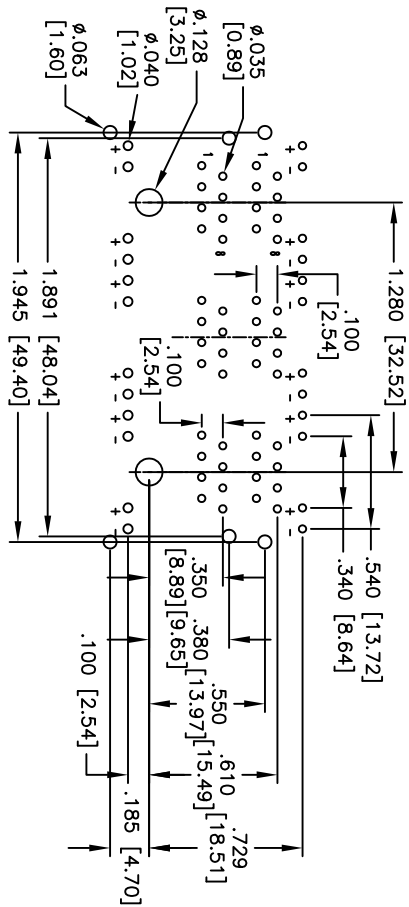
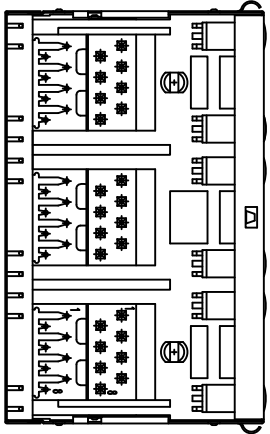
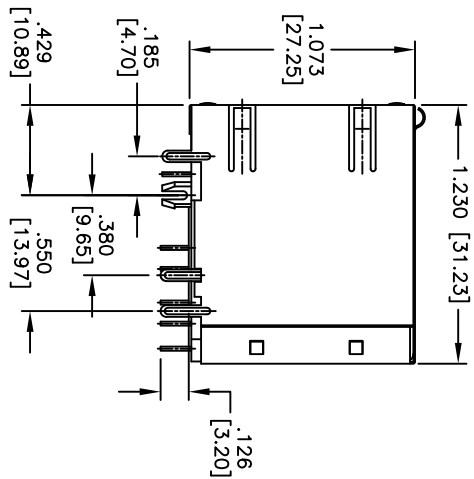
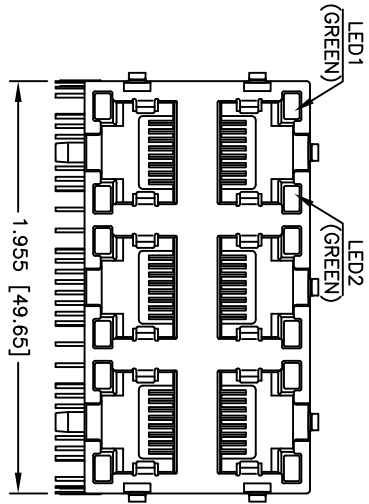


Rev	AWO #	Description	Date	Appr
-		RELEASED	12/08/10	

APPROVED: _____
 DATE: _____ TITLE: _____



RECOMMENDED PCB LAYOUT

SPECIFICATIONS:
 Material: _____
 Insulator: PBT, rated UL 94V-0
 Insulator color: Black
 Contacts: Phosphor Bronze
 Shield: Copper Alloy, Nickel plated
 Plating: _____
 Gold over Nickel underplate on contact area,
 Tin over Copper underplate on PCB tails.
 (See chart for thickness)

Electrical:
 Operating voltage: 125 VAC max
 Current rating: 1.5 Amps max
 Contact resistance: 30 mohms
 Insulation resistance: 1000 Mohms min @ 500 VDC
 Dielectric strength: 1000 VAC for 1 minute

Temperature Rating:
 Operating temperature: -40°C to +85°C
 Environmental: _____
 Lead free, RoHS compliant.
 Recommended soldering temp: 235°C for 5 sec.

"X"	PLATING
0	15 uin Gold
1	30 uin Gold
2	50 uin Gold

UNLESS OTHERWISE SPECIFIED
 ALL DIMENSIONS ARE MM [INCHES]
 TOLERANCES: EXCEPT AS NOTED
 INCHES

.X	± .10	ØX	± .10
.XX	± .020	ØXXX	± .015
.XXX	± .015	ØXXXX	± .010

APPROVALS: _____ DATE: _____
 DRAWN: DY 12/08/10
 CHECKED: _____
 APPROVED: _____

ADAM TECH

909 Rahway Avenue, Union, NJ 07083
 Phone: 908-687-5000 Fax: 908-687-0214

TITLE: MODULAR JACK GANGED, 6 PORT, 8P8C
 W/ LED1 GREEN, LED2 GREEN

SIZE	PART NO.	REV.
X	MTJG-6-88JX1-FS-PG-LD-SPB	.
REF:	S0067T	SCALE: NTS
		SHEET 1 OF 1

