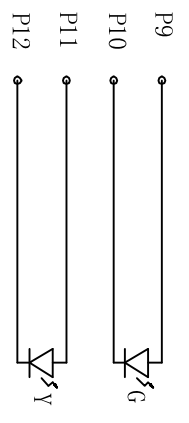
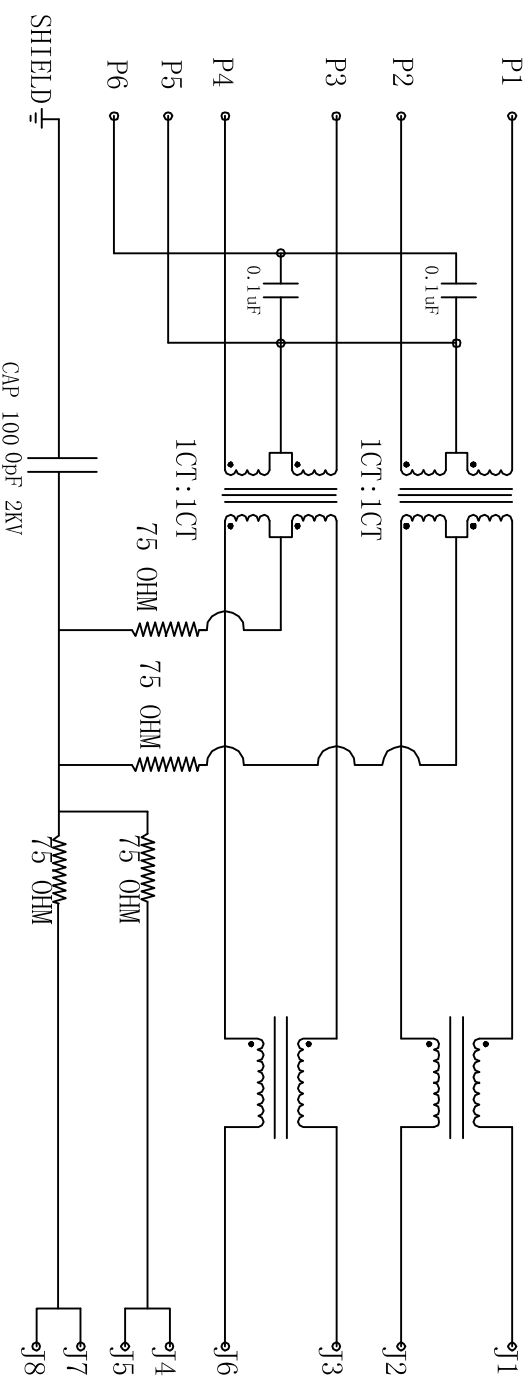


Rev	AWO #	Description	Date	Appr
		SEE SHT 1 OF 2 FOR REVISION		

APPROVED: _____

DATE: _____ TITLE: _____



ELECTRICAL SPECIFICATIONS

- Turns Ratio: (P1 ~ P2) : (J1 ~ J2) 1:1 ±3%
(P3 ~ P4) : (J3 ~ J6) 1:1 ±3%
- Inductance: (P1 ~ P2) 350uH min. @ 0.1V, 100KHZ, 8mA DC Bias
(P3 ~ P4) 350uH min. @ 0.1V, 100KHZ, 8mA DC Bias
- Leakage Inductance: P1 ~ P2 (with J1 and J2 Short): 0.35uH Max. @ 1 MHz
P3 ~ P4 (with J3 and J6 Short): 0.35uH Max. @ 1 MHz
- Interwinding Capacitor: (P1 ~ P2) : (J1 ~ J2): 35pF max @ 1MHz
(P3 ~ P4) : (J3 ~ J6): 1.2 Ohms Max.
- DC Resistance: (J1 ~ J2) : -18dB
30MHz to 60MHz: -18dB
60MHz to 80MHz: -12dB
- Return Loss: (18-20LOG(f/30))dB MIN (WHERE f IS IN MHZ)
- Dielectric Withstanding: (P1~P2) : (J1~J2): (P3~P4) : (J3~J6) : 1500VDC
- Insertion Loss: 100KHZ TO 100MHZ : -1.2dB MAX
- Cross Talk: 1MHZ to 100MHZ: -35dB MIN
- Common to Common mode attenuation: 30KHZ TO 100MHZ: -30dBMIN

UNLESS OTHERWISE SPECIFIED
ALL DIMENSIONS ARE INCHES [MM]
TOLERANCES: EXCEPT AS NOTED

.X	± .10	Ø.X	± .10
.XX	± .020	Ø.XXX	± .015
.XXX	± .015	Ø.XXX	± .010

INCHES HOLES

ADAM TECH
909 Rahway Avenue, Union, NJ 07083
Phone: 908-687-5000 Fax: 908-687-5710

MODULAR JACK GANGED, 4 PORT, 8P8C
W/ LED1 GREEN, LED2 YELLOW

DRAWN	DY	7/02/10
CHECKED		
APPROVED		

SIZE	PART NO.	REV.
X	MTJG-4-88TX1-FSD-PG-LHM109	-
REF:	S00005C	SCALE: NTS
		SHEET 2 OF 2