

6

5

4

3

2

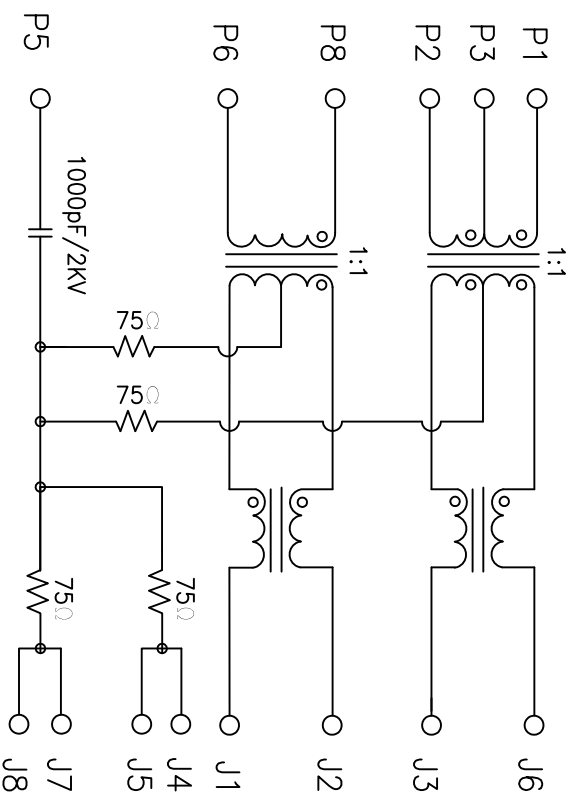
1

Rev	AWO #	Description	Date	Appr
		SEE SHT 1 OF 2 FOR REVISION		

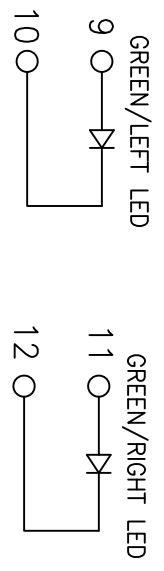
APPROVED: _____

DATE: _____ TITLE: _____

PC BOARD CONNECTIONS



RJ45 CONNECTOR



SPECIFICATIONS:

- Turn Ratio: ($\pm 3\%$)
(P1-P3-P2):(J6-J3)=1CT:1CT
(P8-P6):(J2-J1)=1CT:1CT
- Inductance(100KHz, 0.1V, 8mA DC Bias)
(P6-P8), (P2-P1): 350uH MIN
- Insertion Loss:
-1.1dB Max@0.1-100MHz
- Return Loss(@100 OHM):
-18dB MIN @ 1-30MHz
-12dB MIN @ 60-80MHz
- Crosstalk:
-40dB TYP @1-100MHz
- Common to Common Mode Attenuation:
-35dB TYP @30-100dBMHz
- Hipot Test: 1500Vrms MIN

UNLESS OTHERWISE SPECIFIED
ALL DIMENSIONS ARE INCHES [MM]
TOLERANCES: EXCEPT AS NOTED

INCHES	HOLES
.X ± .10	Ø.X ± .10
.XX ± .020	Ø.XXX ± .015
.XXX ± .015	Ø.XXX ± .010

APPROVALS

DATE	DATE

ADAM TECH
909 Rahway Avenue, Union, NJ 07083
Phone: 908-687-5000 Fax: 908-687-5710

MODULAR JACK GANGED, 4 PORT, 8P8C
W/LED1 GREEN, LED2 YELLOW

DRAWN	DY	4/16/10	SIZE	PART NO.	REV.
CHECKED			X	MTJG-4-88TX1-FSD-PG-LD-M90	
APPROVED			REF: S00043C	SCALE: NTS	SHEET 2 OF 2

6

5

4

3

2

1