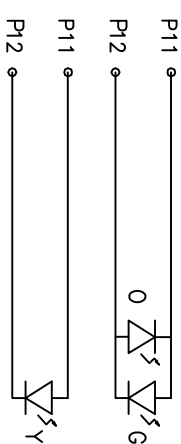
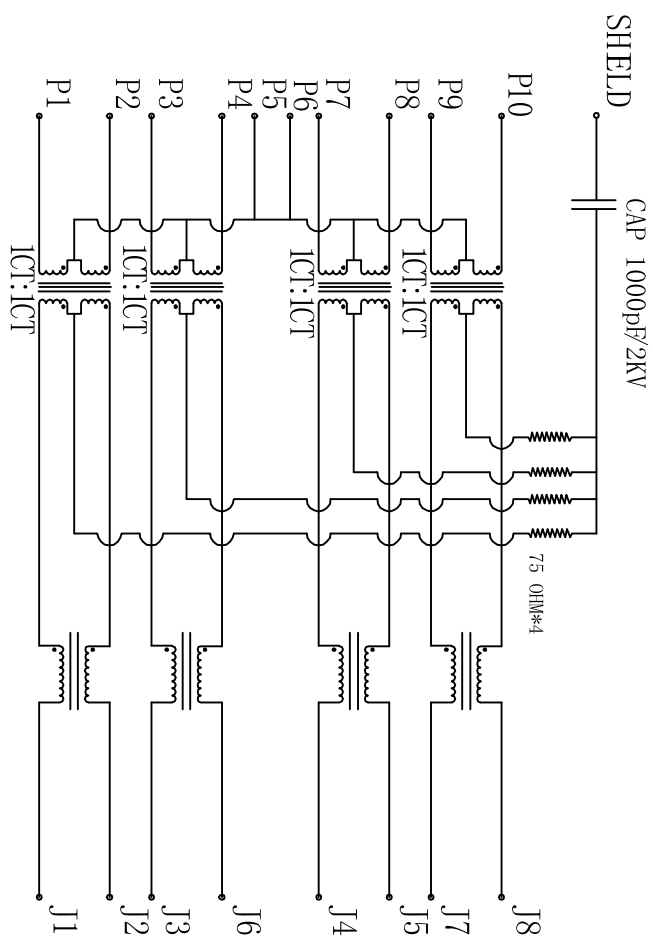


Rev	AWO #	Description	Date	Appr
		SEE SHT 1 OF 2 FOR REVISION		

APPROVED: _____

DATE: _____ TITLE: _____



ELECTRICAL SPECIFICATIONS

- Turns Ratio: (P1 ~ P2) : (J1 ~ J2) : 1:1 ±3%
(P3 ~ P4) : (J3 ~ J6) : 1:1 ±3%
(P7 ~ P8) : (J4 ~ J5) : 1:1 ±3%
(P9 ~ P10) : (J7 ~ J8) : 1:1 ±3%
- Inductance: (P1 ~ P2) 350uH min. @ 0.1V, 100KHZ, 8mA DC Bias
(P3 ~ P4) 350uH min. @ 0.1V, 100KHZ, 8mA DC Bias
(P7 ~ P8) 350uH min. @ 0.1V, 100KHZ, 8mA DC Bias
(P9 ~ P10) 350uH min. @ 0.1V, 100KHZ, 8mA DC Bias
- Leakage Inductance: P1 ~ P2 (with J1 and J2 Short): 0.35uH Max. @ 1 MHz
P3 ~ P4 (with J3 and J6 Short): 0.35uH Max. @ 1 MHz
P7 ~ P8 (with J4 and J5 Short): 0.35uH Max. @ 1 MHz
P9 ~ P10 (with J7 and J8 Short): 0.35uH Max. @ 1 MHz
- Interwinding Capacitor: (P1 ~ P2) : (J1 ~ J2): 115pF max. @ 1MHz
(P3 ~ P4) : (J3 ~ J6): 115pF max. @ 1MHz
(P7 ~ P8) : (J4 ~ J5): 115pF max. @ 1MHz
(P9 ~ P10) : (J7 ~ J8): 115pF max. @ 1MHz
- DC Resistance: (J1 ~ J2) : (J3 ~ J6): (J4 ~ J5) : (J7 ~ J8): 1.2 Ohms Max.
- Dielectric Withstanding: (P1 ~ P2) : (J1 ~ J2): 1500 VAC
(P3 ~ P4) : (J3 ~ J6): 1500 VAC
(P7 ~ P8) : (J4 ~ J5): 1500 VAC
(P9 ~ P10) : (J7 ~ J8): 1500 VAC
- Return Loss: 0.5MHz to 100MHz: -1.2dB MIN
40MHz to 40MHz: -18dB MIN
- Insertion Loss: 40MHz to 100MHz: -35dB MIN
40MHz to 100MHz: -35dB MIN (WHERE f IS IN MHz)
- Cross Talk: 0.5MHz to 40MHz: -33-20 LOG(F/50)dB MIN (WHERE f IS IN MHz)
40MHz to 100MHz: -33-20 LOG(F/50)dB MIN (WHERE f IS IN MHz)
- Common to Common mode Attenuation: 0.5MHz to 100MHz: -30dB TYP

ADAM TECH

909 Ratway Avenue, Union, NJ 07083
Phone: 908-687-5000 Fax: 908-687-5710

TITLE: MODULAR JACK GANGED, 4 PORT, 8P8C
W/ LED1 ORANGE/ GREEN, LED2 YELLOW

UNLESS OTHERWISE SPECIFIED ALL DIMENSIONS ARE INCHES [MM] TOLERANCES: EXCEPT AS NOTED		INCHES		HOLES	
.X	± .10	Ø.X	± .10		
.XX	± .020	Ø.XXX	± .015		
.XXX	± .015	Ø.XXX	± .010		
APPROVALS		DATE		TITLE	
DRAWN	AY		1/18/11	SIZE	PART NO.
CHECKED	JL		1/18/11	REF:	S00005C
APPROVED				SCALE:	NTS
				SHEET:	2 OF 2