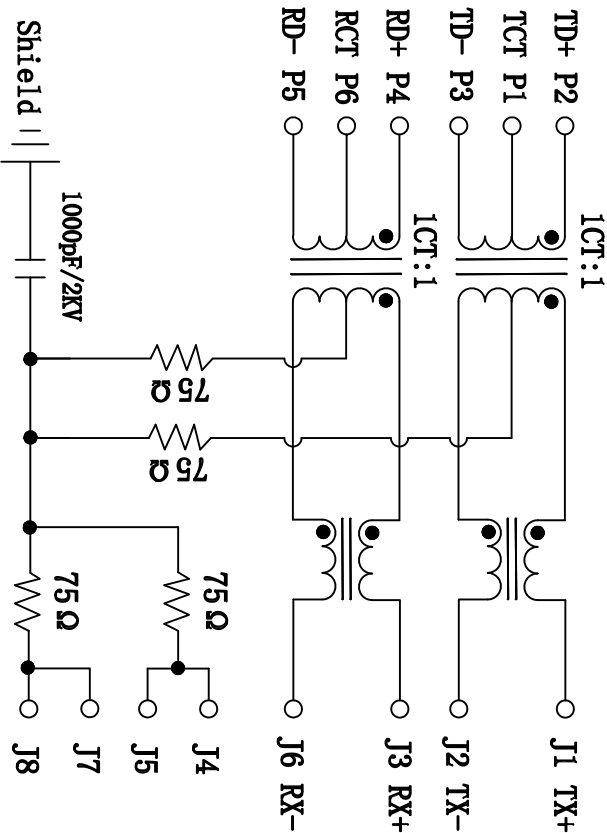


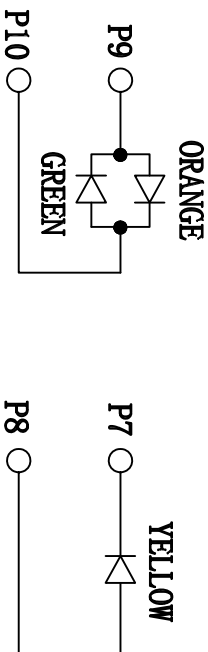
Rev	AWO #	Description	Date	Appr
		SEE SHT 1 OF 2 FOR REVISION		

APPROVED: _____
 DATE: _____ TITLE: _____



SPECIFICATIONS:

- Turns Ratio:
TX=1CT:1
RX=1CT:1
- OCL:
350uH MIN @100KHz/100mVRMS, 8mA DC BIAS
- Insertion Loss:
-1.0dB Max@ 1MHz to 100MHz
- Return Loss:
-18dB MIN @ 1MHz to 30MHz
-18+20LOG(F/30MHz)dB MIN @ 30MHz to 60MHz
-12dB MIN @ 60MHz to 80MHz
- Crosstalk (TX-RX):
-70dB MIN @ 500KHz to 1MHz
-50dB MIN @ 10MHz
-45dB MIN @ 30MHz
-40dB MIN @ 50MHz
-35dB MIN @ 100MHz
- CM to CM REJ (dB MIN):
-70 @100KHz to 1MHz
-47 @10MHz: -42 @30MHz
-37 @60MHz: -30 @100MHz
- CM to DM REJ (dB MIN):
-70 @100KHz-1MHz
-60 @10MHz: -50 @30MHz
-45 @60MHz: -40 @100MHz
- HiPot (Isolation Voltage): 1500Vrms.



UNLESS OTHERWISE SPECIFIED
 ALL DIMENSIONS ARE INCHES [MM]
 TOLERANCES: EXCEPT AS NOTED

.X	±.10	Ø.X	±.10
.XX	±.020	Ø.XXX	±.015
.XXX	±.015	Ø.XXXX	±.010

APPROVALS

DRAWN	DY	DATE
		9/14/10

ADAM TECH
 909 Rahway Avenue, Union, NJ 07083
 Phone: 908-687-5000 Fax: 908-687-5710

TITLE: MODULAR JACK GANGED, 4 PORT, 8P8C
 W/LED1 ORANGE/GREEN, LED2 YELLOW

CHECKED		SIZE	PART NO.	REV.
APPROVED		X	MTJG-4-88SX1-FSP-PG-18-M50	-
		REF:	S00043C	
		SCALE:	NTS	SHEET 2 OF 2