

6

5

4

3

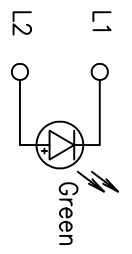
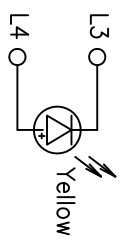
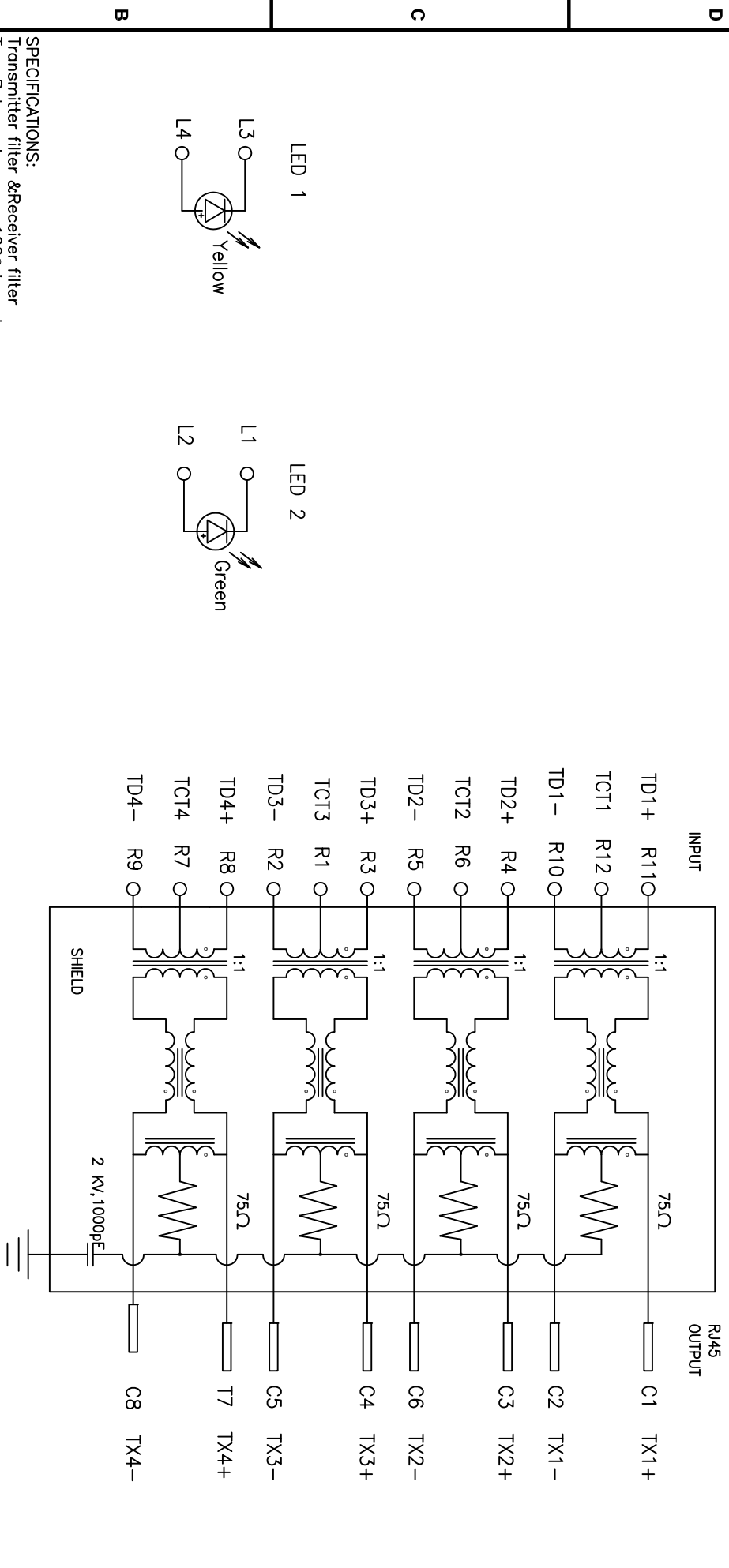
2

1

Rev	AWO #	Description	Date	Appr
		SEE SHT 1 OF 2 FOR REVISION		

APPROVED: _____

DATE: _____ TITLE: _____



SPECIFICATIONS:
 Transmitter filter & Receiver filter
 Type: Balance low pass 100Ω impedance
 Insertion loss: 1~100MHz-1.0dB MAX.
 Return loss: 1~30MHz-18dB MIN. load 100Ω
 30~60MHz-16dB MIN. load 100Ω
 60~80MHz-12dB MIN. load 100Ω
 80~100MHz-10dB MIN. load 100Ω

Common Mode Rejection
 @1~100MHz-30dB MIN.
 Cross Talk
 @1~100MHz-30dB MIN.
 INDUCTANCE@100KHz, 0.1V, 8mA DC BIAS
 Input(R1-R10), Input(R4-R5), Input(R3~R2), Input(R8~R9): 350uH MIN.
 HiPot TEST
 Input(R11-R10) to Output(C1-C2): 1500 VAC, 60sec or 2250VDC, 60sec
 Input(R4-R5) to Output(C3-C6): 1500 VAC, 60sec or 2250VDC, 60sec
 Input(R3-R2) to Output(C4-C5): 1500 VAC, 60sec or 2250VDC, 60sec
 Input(R8-R9) to Output(C7-C8): 1500 VAC, 60sec or 2250VDC, 60sec

UNLESS OTHERWISE SPECIFIED	
ALL DIMENSIONS ARE MM	
TOLERANCES: EXCEPT AS NOTED	
.X	± .10
.XX	± .020
.XXX	± .015
HOLES	
Ø.X	± .10
Ø.XXX	± .015
APPROVALS	
DRAWN	DY
CHECKED	
APPROVED	
DATE	8/31/09

ADAM TECH
 909 Rahway Avenue, Union, NJ 07083
 Phone: 908-687-5000 Fax: 908-687-5710

TITLE: MODULAR JACK GANGED, 4 PORT, 8P8C
 W/LED1 YELLOW, LED2 GREEN

SIZE	PART NO.	REV.
X	MTJG-4-88CX1-FSP-PG-L-G-M20	-
REF:	S00073T	
SCALE:	NTS	
SHEET	2 OF 2	