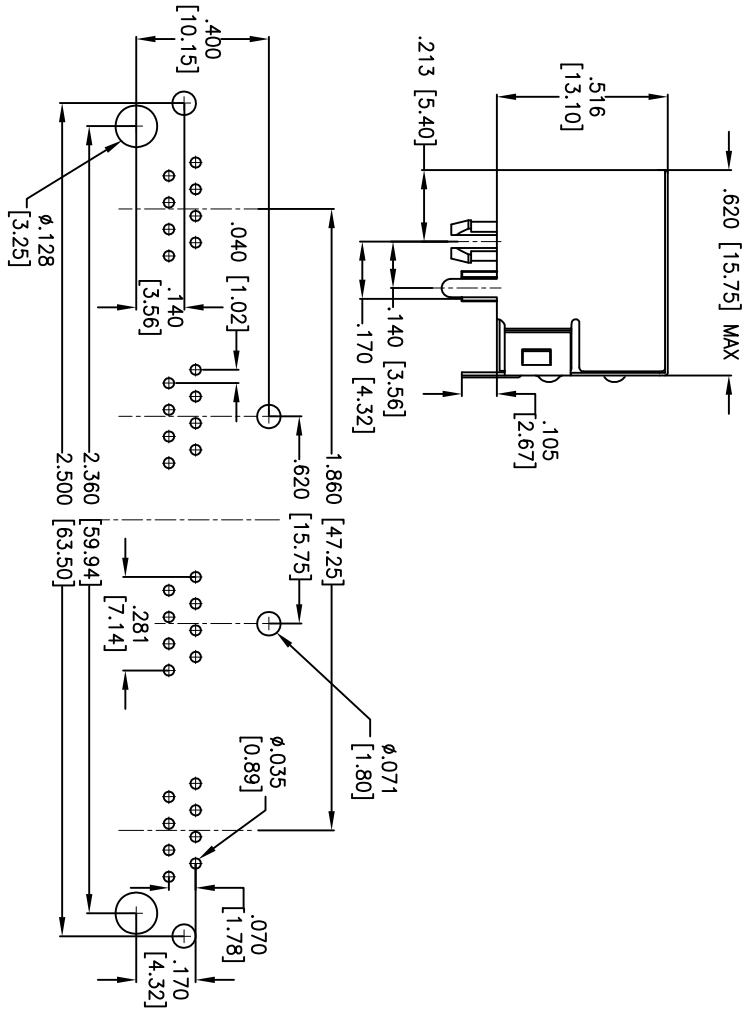
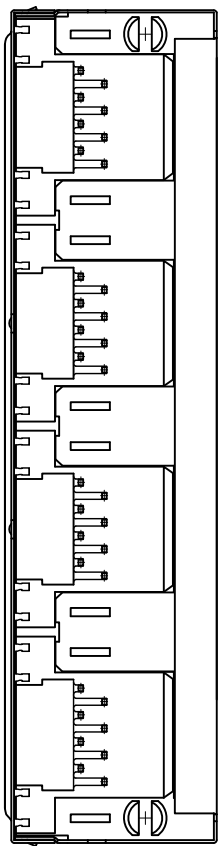
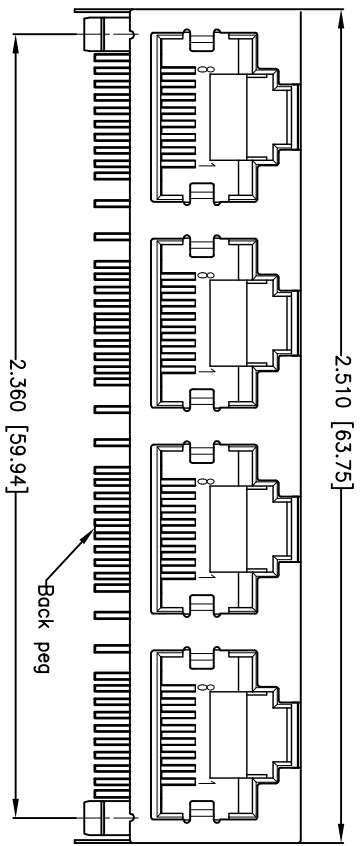


Rev	AWO #	Description	Date	Appr
-		RELEASED	1/25/11	

APPROVED: _____
 DATE: _____ TITLE: _____



SPECIFICATIONS:

Material:

Insulator: PBT, glass reinforced, rated UL 94V-0

Insulator color: Black

Contacts: Phosphor Bronze

Shield: Copper Alloy, Nickel plated

Contact Plating:

Gold Flash over Nickel underplate on contact area,
 Tin over Copper underplate on tails

(See chart for thickness).

Electrical:

Operating voltage: 125 VAC max

Current rating: 1.5 Amps max

Contact Resistance: 30 mohms max. initial

Insulation resistance: 500 Mohms min

Dielectric withstanding voltage: 1000 VAC for 1 minut

Temperature Rating:

Operating temperature: -40°C to +85°C

Environmental:

Lead free, RoHS compliant.

Recommended soldering temp: 235°C for 5 sec.

X	PLATING
0	15 µin Gold
1	30 µin Gold
2	50 µin Gold

UNLESS OTHERWISE SPECIFIED
 ALL DIMENSIONS ARE INCHES [MM]
 TOLERANCES: EXCEPT AS NOTED

INCHES	HOLES
.X ± .10	Ø.X ± .10
.XX ± .020	Ø.XXX ± .015
.XXX ± .015	Ø.XXX ± .010

ADAM TECH
 909 Ratway Avenue, Union, NJ 07083
 Phone: 908-687-5000 Fax: 908-687-5710

MODULAR JACK GANGED, 4 PORT, 8P8C

DRAWN	AY	1/25/11	DATE
CHECKED	JL	1/25/11	DATE
APPROVED			
SIZE	PART NO.	REV.	
X	MTJG-4-88ARX1-FSW		
REF:	S00167T	SCALE:	NIS
		SHEET:	1 OF 1