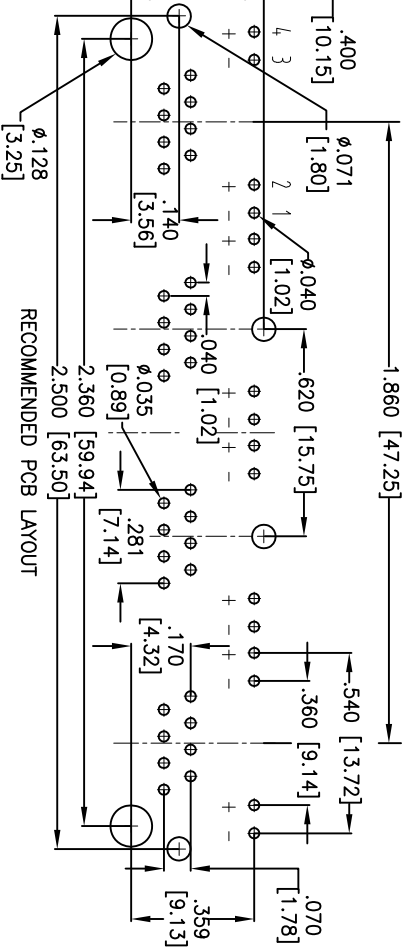
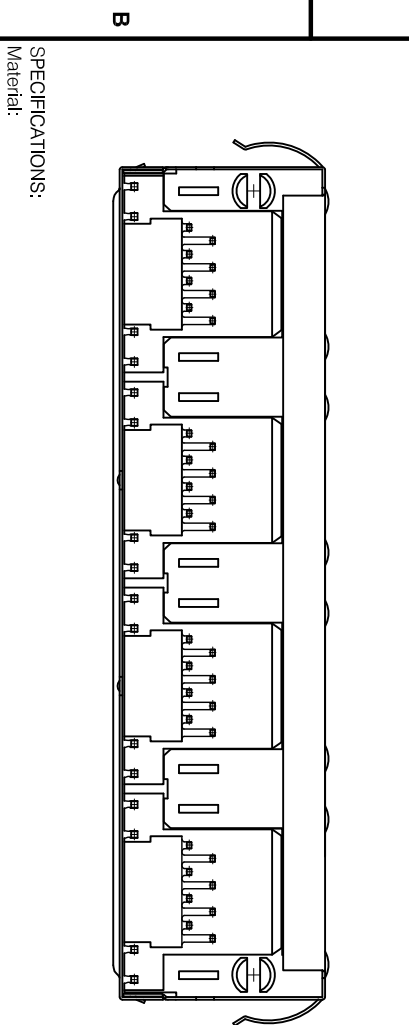
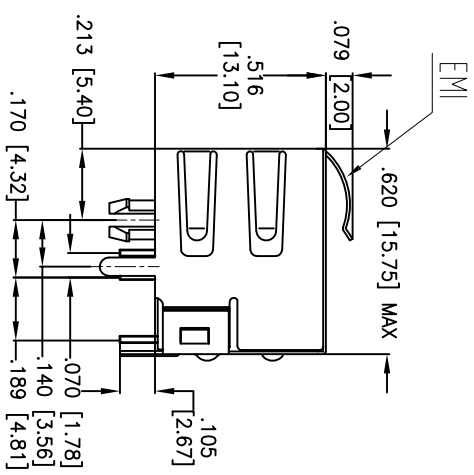
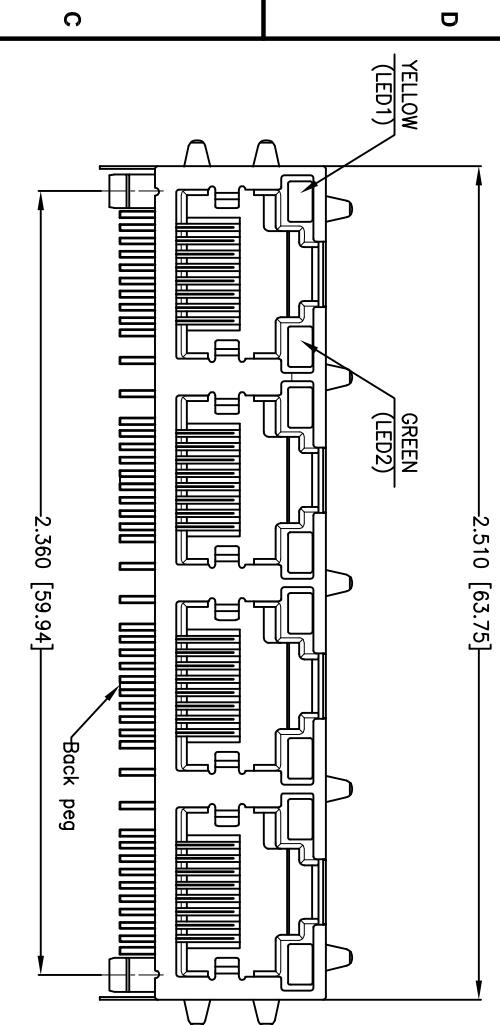


Rev	AWO #	Description	Date	Appr
-		RELEASED	1/25/11	

APPROVED: \_\_\_\_\_  
 DATE: \_\_\_\_\_ TITLE: \_\_\_\_\_



RECOMMENDED PCB LAYOUT

**SPECIFICATIONS:**  
 Material: PBT, glass reinforced, rated UL 94V-0  
 Insulator color: Black  
 Contacts: Phosphor Bronze  
 Shield: Copper Alloy, Nickel plated  
 Contact Plating:  
 Gold Flash over Nickel underplate on contact area,  
 Tin over Copper underplate on tails  
 (See chart for thickness).  
 Electrical:  
 Operating voltage: 125 VAC max  
 Current rating: 1.5 Amps max  
 Contact Resistance: 30 mohms max. initial  
 Insulation resistance: 500 Mohms min  
 Dielectric withstanding voltage: 1000 VAC for 1 minut  
 Temperature Rating:  
 Operating temperature: -40°C to +85°C  
 Environmental:  
 Lead free, RoHS compliant.  
 Recommended soldering temp: 235°C for 5 sec.

X	PLATING
0	15 µin Gold
1	30 µin Gold
2	50 µin Gold

UNLESS OTHERWISE SPECIFIED  
 ALL DIMENSIONS ARE INCHES [MM]  
 TOLERANCES: EXCEPT AS NOTED  
 INCHES  
 HOLES  
 .X ± .10 Ø.X ± .10  
 .XX ± .020 Ø.XX ± .015  
 .XXX ± .015 Ø.XXX ± .010

**ADAM TECH**  
 909 Rahway Avenue, Union, NJ 07083  
 Phone: 908-687-5000 Fax: 908-687-5710

APPROVALS	DATE	TITLE	SIZE	PART NO.	REV.
DRAWN AY	1/25/11	MODULAR JACK GANGED, 4 PORT, 8P8C	X	MTJG-4-88ARX1-FSW-PG-LG	
CHECKED JL	1/25/11	W/LED1 YELLOW, LED 2 GREEN			
APPROVED					

6 5 4 3 2 1

6 5 4 3 2 1

