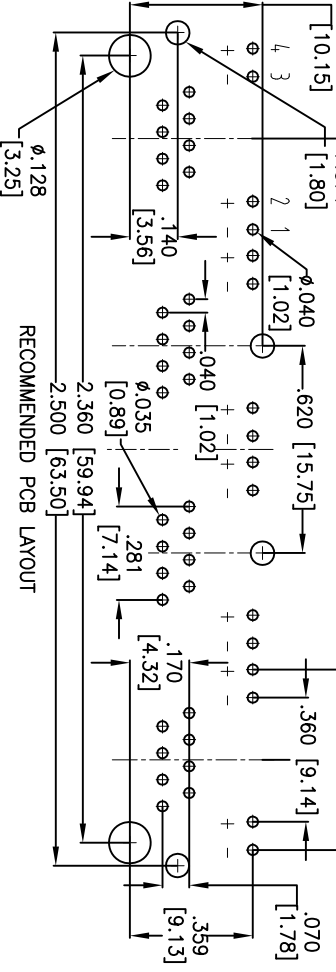
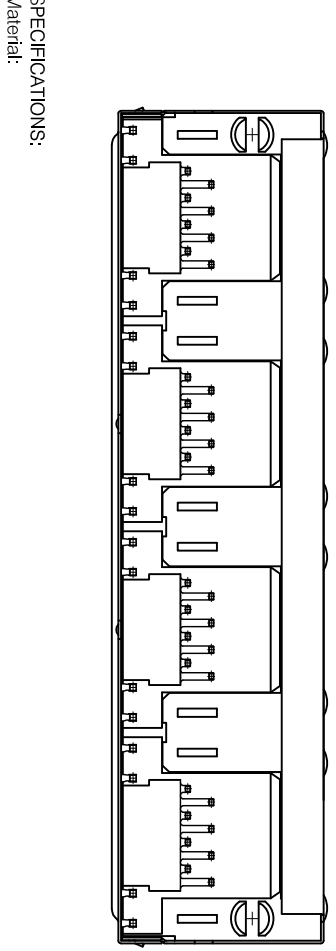
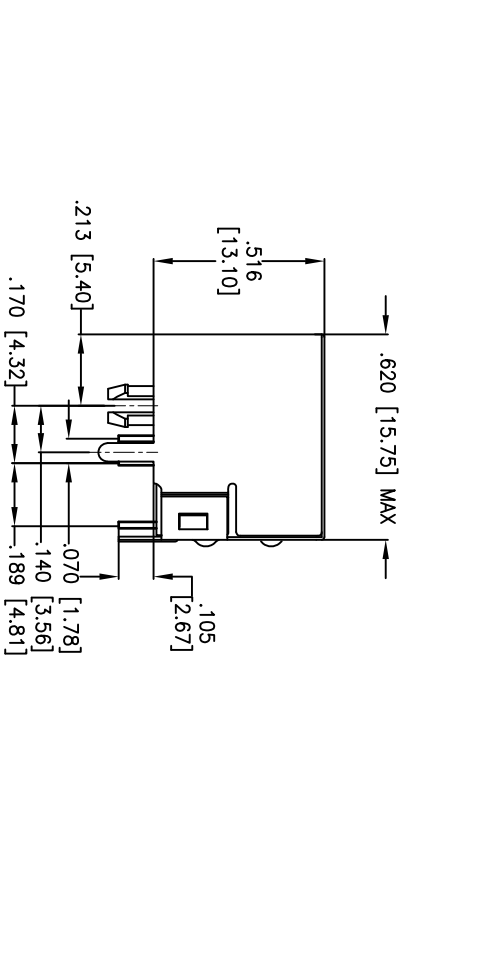
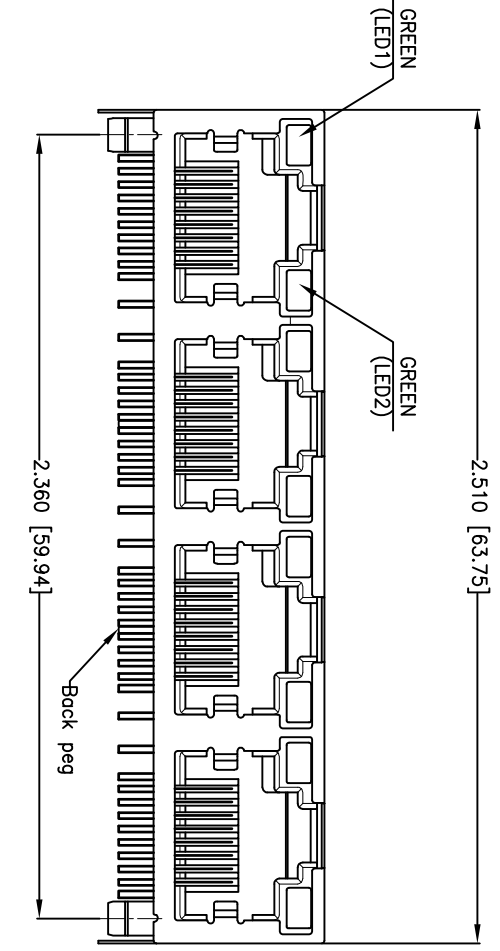


Rev	AWO #	Description	Date	Appr
-		RELEASED	1/25/11	

APPROVED: _____
 DATE: _____ TITLE: _____



SPECIFICATIONS:
 Material: PBT, glass reinforced, rated UL 94V-0
 Insulator color: Black
 Contacts: Phosphor Bronze
 Shield: Copper Alloy, Nickel plated
 Contact Plating:
 Gold Flash over Nickel underplate on contact area,
 Tin over Copper underplate on tails
 (See chart for thickness).

X	PLATING
0	15 µin Gold
1	30 µin Gold
2	50 µin Gold

Electrical:
 Operating voltage: 125 VAC max
 Current rating: 1.5 Amps max
 Contact Resistance: 30 mohms max. initial
 Insulation resistance: 500 Mohms min
 Dielectric withstanding voltage: 1000 VAC for 1 minut
 Temperature Rating:
 Operating temperature: -40°C to +85°C

X	PLATING
0	15 µin Gold
1	30 µin Gold
2	50 µin Gold

Environmental:
 Lead free, RoHS compliant.
 Recommended soldering temp: 235°C for 5 sec.

X	PLATING
0	15 µin Gold
1	30 µin Gold
2	50 µin Gold

Operating temperature: -40°C to +85°C

X	PLATING
0	15 µin Gold
1	30 µin Gold
2	50 µin Gold

Recommended soldering temp: 235°C for 5 sec.

X	PLATING
0	15 µin Gold
1	30 µin Gold
2	50 µin Gold

Operating temperature: -40°C to +85°C

X	PLATING
0	15 µin Gold
1	30 µin Gold
2	50 µin Gold

Recommended soldering temp: 235°C for 5 sec.

X	PLATING
0	15 µin Gold
1	30 µin Gold
2	50 µin Gold

Operating temperature: -40°C to +85°C

X	PLATING
0	15 µin Gold
1	30 µin Gold
2	50 µin Gold

Recommended soldering temp: 235°C for 5 sec.

X	PLATING
0	15 µin Gold
1	30 µin Gold
2	50 µin Gold

Operating temperature: -40°C to +85°C

X	PLATING
0	15 µin Gold
1	30 µin Gold
2	50 µin Gold

Recommended soldering temp: 235°C for 5 sec.

X	PLATING
0	15 µin Gold
1	30 µin Gold
2	50 µin Gold

Operating temperature: -40°C to +85°C

X	PLATING
0	15 µin Gold
1	30 µin Gold
2	50 µin Gold

Recommended soldering temp: 235°C for 5 sec.

X	PLATING
0	15 µin Gold
1	30 µin Gold
2	50 µin Gold

Operating temperature: -40°C to +85°C

X	PLATING
0	15 µin Gold
1	30 µin Gold
2	50 µin Gold

Recommended soldering temp: 235°C for 5 sec.

X	PLATING
0	15 µin Gold
1	30 µin Gold
2	50 µin Gold

Operating temperature: -40°C to +85°C

X	PLATING
0	15 µin Gold
1	30 µin Gold
2	50 µin Gold

Recommended soldering temp: 235°C for 5 sec.

X	PLATING
0	15 µin Gold
1	30 µin Gold
2	50 µin Gold

Operating temperature: -40°C to +85°C

X	PLATING
0	15 µin Gold
1	30 µin Gold
2	50 µin Gold

Recommended soldering temp: 235°C for 5 sec.

X	PLATING
0	15 µin Gold
1	30 µin Gold
2	50 µin Gold

Operating temperature: -40°C to +85°C

X	PLATING
0	15 µin Gold
1	30 µin Gold
2	50 µin Gold

Recommended soldering temp: 235°C for 5 sec.

X	PLATING
0	15 µin Gold
1	30 µin Gold
2	50 µin Gold

Operating temperature: -40°C to +85°C

X	PLATING
0	15 µin Gold
1	30 µin Gold
2	50 µin Gold

Recommended soldering temp: 235°C for 5 sec.

X	PLATING
0	15 µin Gold
1	30 µin Gold
2	50 µin Gold

Operating temperature: -40°C to +85°C

X	PLATING
0	15 µin Gold
1	30 µin Gold
2	50 µin Gold

Recommended soldering temp: 235°C for 5 sec.

X	PLATING
0	15 µin Gold
1	30 µin Gold
2	50 µin Gold

Operating temperature: -40°C to +85°C

X	PLATING
0	15 µin Gold
1	30 µin Gold
2	50 µin Gold

Recommended soldering temp: 235°C for 5 sec.

X	PLATING
0	15 µin Gold
1	30 µin Gold
2	50 µin Gold

Operating temperature: -40°C to +85°C

X	PLATING
0	15 µin Gold
1	30 µin Gold
2	50 µin Gold

Recommended soldering temp: 235°C for 5 sec.

X	PLATING
0	15 µin Gold
1	30 µin Gold
2	50 µin Gold

Operating temperature: -40°C to +85°C

X	PLATING
0	15 µin Gold
1	30 µin Gold
2	50 µin Gold

Recommended soldering temp: 235°C for 5 sec.

X	PLATING
0	15 µin Gold
1	30 µin Gold
2	50 µin Gold

Operating temperature: -40°C to +85°C

X	PLATING
0	15 µin Gold
1	30 µin Gold
2	50 µin Gold

Recommended soldering temp: 235°C for 5 sec.

X	PLATING
0	15 µin Gold
1	30 µin Gold
2	50 µin Gold

Operating temperature: -40°C to +85°C

X	PLATING
0	15 µin Gold
1	30 µin Gold
2	50 µin Gold

Recommended soldering temp: 235°C for 5 sec.

X	PLATING
0	15 µin Gold
1	30 µin Gold
2	50 µin Gold

Operating temperature: -40°C to +85°C

X	PLATING
0	15 µin Gold
1	30 µin Gold
2	50 µin Gold

Recommended soldering temp: 235°C for 5 sec.

X	PLATING
0	15 µin Gold
1	30 µin Gold
2	50 µin Gold

Operating temperature: -40°C to +85°C

X	PLATING
0	15 µin Gold
1	30 µin Gold
2	50 µin Gold

Recommended soldering temp: 235°C for 5 sec.

X	PLATING
0	15 µin Gold
1	30 µin Gold
2	50 µin Gold

Operating temperature: -40°C to +85°C

X	PLATING
0	15 µin Gold
1	30 µin Gold
2	50 µin Gold

Recommended soldering temp: 235°C for 5 sec.

X	PLATING
0	15 µin Gold
1	30 µin Gold
2	50 µin Gold

Operating temperature: -40°C to +85°C

X	PLATING
0	15 µin Gold
1	30 µin Gold
2	50 µin Gold

Recommended soldering temp: 235°C for 5 sec.

X	PLATING
0	15 µin Gold
1	30 µin Gold
2	50 µin Gold

Operating temperature: -40°C to +85°C

X	PLATING
0	15 µin Gold
1	30 µin Gold
2	50 µin Gold

Recommended soldering temp: 235°C for 5 sec.

X	PLATING
0	15 µin Gold
1	30 µin Gold
2	50 µin Gold

Operating temperature: -40°C to +85°C

X	PLATING
0	15 µin Gold
1	30 µin Gold
2	50 µin Gold

Recommended soldering temp: 235°C for 5 sec.

X	PLATING
0	15 µin Gold
1	30 µin Gold
2	50 µin Gold

Operating temperature: -40°C to +85°C

X	PLATING
0	15 µin Gold
1	30 µin Gold
2	50 µin Gold

Recommended soldering temp: 235°C for 5 sec.

X	PLATING
0	15 µin Gold
1	30 µin Gold
2	50 µin Gold

Operating temperature: -40°C to +85°C

X	PLATING
0	15 µin Gold
1	30 µin Gold
2	50 µin Gold

Recommended soldering temp: 235°C for 5 sec.

X	PLATING
0	15 µin Gold
1	30 µin Gold
2	50 µin Gold

Operating temperature: -40°C to +85°C

X	PLATING
0	15 µin Gold
1	30 µin Gold
2	50 µin Gold

Recommended soldering temp: 235°C for 5 sec.

X	PLATING
0	15 µin Gold
1	30 µin Gold
2	50 µin Gold

Operating temperature: -40°C to +85°C

X	PLATING
0	15 µin Gold
1	30 µin Gold
2	50 µin Gold

Recommended soldering temp: 235°C for 5 sec.

X	PLATING
0	15 µin Gold
1	30 µin Gold
2	50 µin Gold

Operating temperature: -40°C to +85°C

X	PLATING
0	15 µin