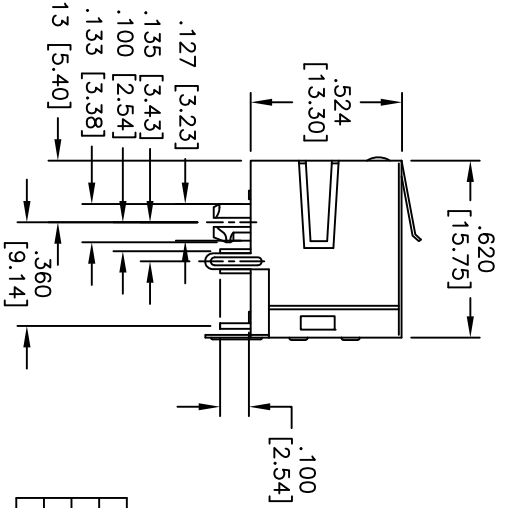
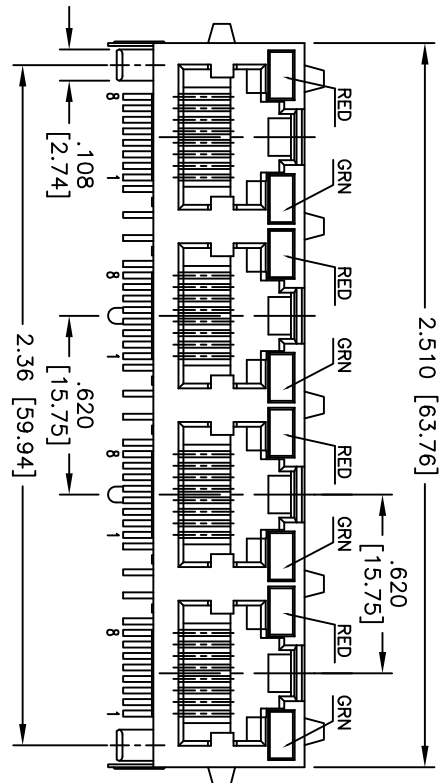
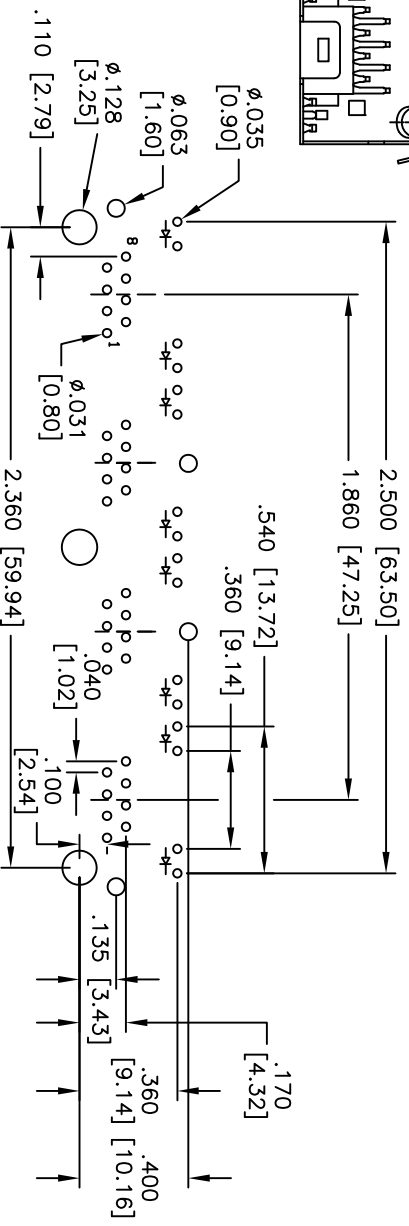
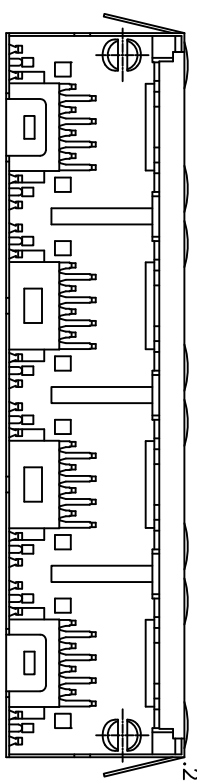


Rev	AWO #	Description	Date	Appr
-		RELEASED	5/05/10	

APPROVED: _____
 DATE: _____ TITLE: _____



X	PLATING
0	15 µin Gold
1	30 µin Gold
2	50 µin Gold



RECOMMENDED PCB LAYOUT

SPECIFICATIONS:

- Material: PBT, rated UL 94V-0
- Insulator color: Black
- Contacts: Phosphor Bronze
- Shield: Brass, Nickel plated
- Plating: Gold over Nickel underplate on contact area, Tin over Copper underplate on PCB tails

Electrical:

- Operating voltage: 125 VAC max
- Current rating: 1.5 Amps max
- Contact resistance: 45 mohms max
- Insulation resistance: 1000 Mohms min @ 500 VDC
- Dielectric withstanding voltage: 1000 VAC for 1 minute
- Temperature Rating: Operating temperature: -40°C to +85°C

Environmental:

- Lead free, RoHS compliant.
- Recommended soldering temp: 235°C for 5 sec.



ADAM TECH

909 Rahway Avenue, Union, NJ 07083
 Phone: 908-687-5000 Fax: 908-687-5710

GANGED MODULAR TELEPHONE JACK, 8P8C, 4PORTS, R/A, W/ LED1 RED, LED 2 GREEN

UNLESS OTHERWISE SPECIFIED ALL DIMENSIONS ARE INCHES [MM]		TOLERANCES EXCEPT AS NOTED	
INCHES		HOLDS	
.X	± .10	ØX	± .10
.XX	± .020	ØXXX	± .015
.XXX	± .015	ØXXXX	± .010
APPROVALS		DATE	
DRAWN	DY	5/05/10	
CHECKED			
APPROVED			
TITLE		SIZE	PART NO.
GANGED MODULAR TELEPHONE JACK, 8P8C, 4PORTS, R/A, W/ LED1 RED, LED 2 GREEN		X	MTJG-4-88ARX1-FSM-PG-11
REF: S00085T		SCALE: NTS	SHEET 1 OF 1