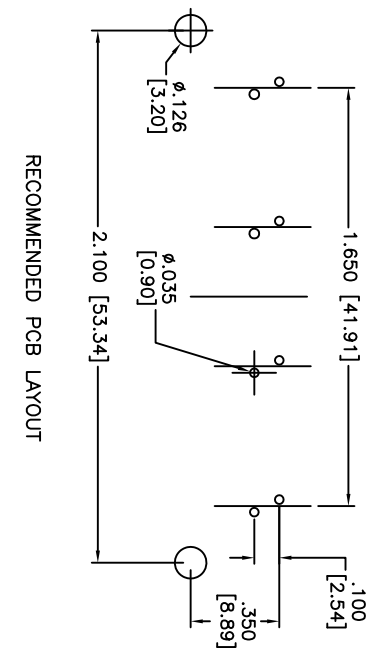
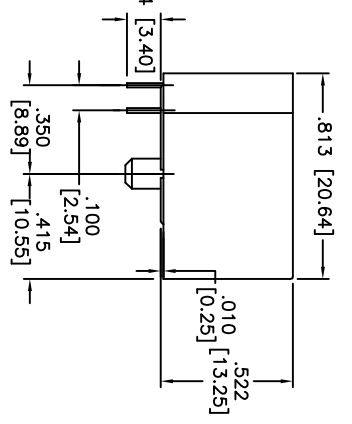
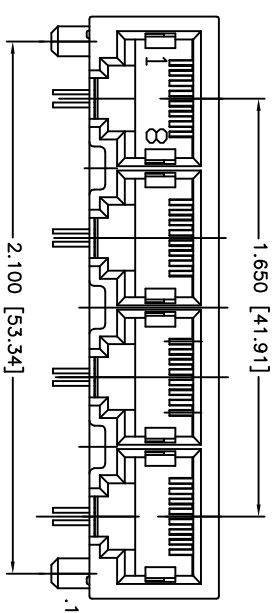
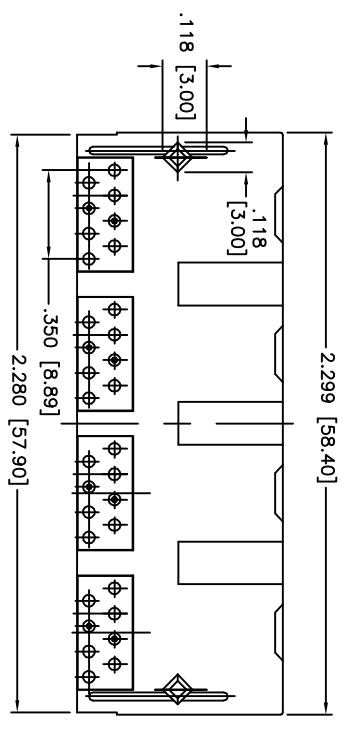


Rev	AWO #	Description	Date	Appr
-		RELEASED	7/19/11	

APPROVED: \_\_\_\_\_  
 DATE: \_\_\_\_\_ TITLE: \_\_\_\_\_



**SPECIFICATIONS:**

Material: PBT, rated UL 94V-0  
 Insulator color: Black  
 Contacts: Phosphor Bronze  
 Plating:

X	PLATING
0	15 $\mu$ in Gold
1	30 $\mu$ in Gold
2	50 $\mu$ in Gold

Gold over Nickel underplate on contact area,  
 Tin over Copper underplate on PCB tails. (See Plating Chart)

Electrical:  
 Operating voltage: 125 VAC max  
 Current rating: 1.5 Amps max  
 Contact resistance: 35 mohms max  
 Insulation resistance: 1000 Mohms min @ 500 VDC  
 Dielectric withstanding voltage: 1000 VAC for 1 minute  
 Temperature Rating:  
 Operating temperature: -40°C to +85°C

Environmental:  
 Lead free, RoHS compliant.  
 Recommended soldering temp: 235°C for 5 sec.



UNLESS OTHERWISE SPECIFIED ALL DIMENSIONS ARE MM [INCHES] TOLERANCES: EXCEPT AS NOTED	
INCHES	HOLES
X ± .10	ØX ± .10
.XX ± .020	ØXXX ± .015
.XXX ± .015	ØXXX ± .010
APPROVALS	DATE
DRAWN	DY
CHECKED	7/19/11
APPROVED	

**ADAM TECH**  
 909 Rahway Avenue, Union, NJ 07083  
 Phone: 908-687-5000 Fax: 908-687-5710

TITLE: **MODULAR GANGED JACK, 4 PORT, 8P2C, RIGHT ANGLE SHIELDED**

SIZE	PART NO.	REV.
X	MTJG-4-82GX1	.
REF:	SCALE: NTS	SHEET 1 OF 1
S000050		