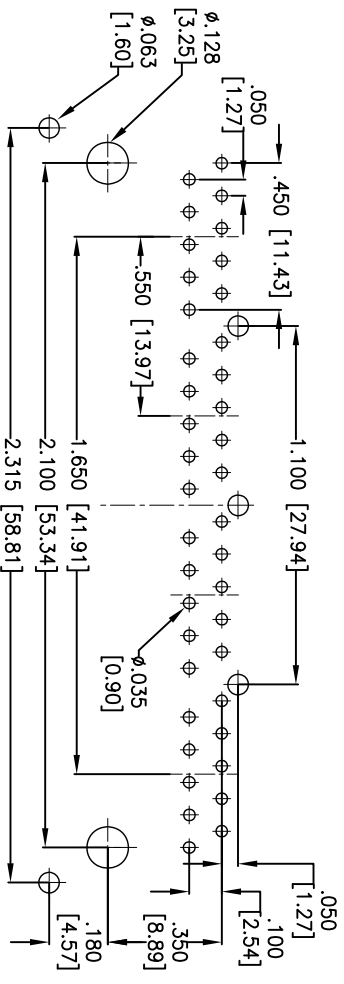
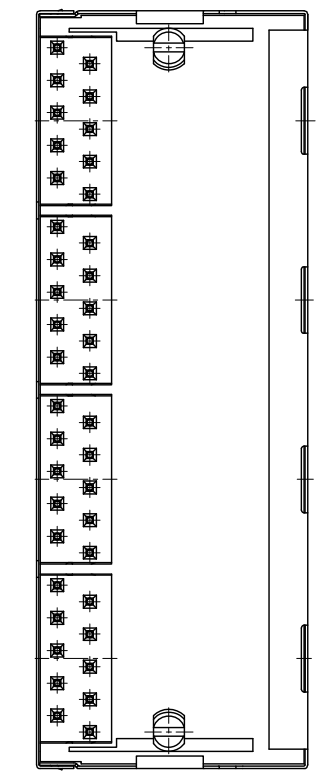
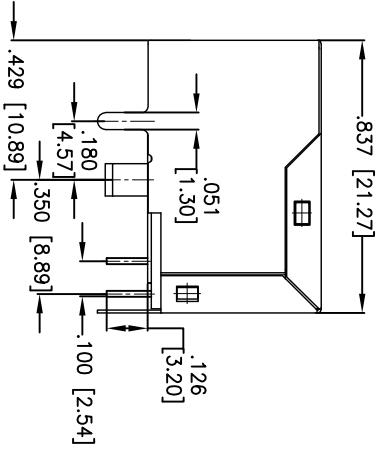
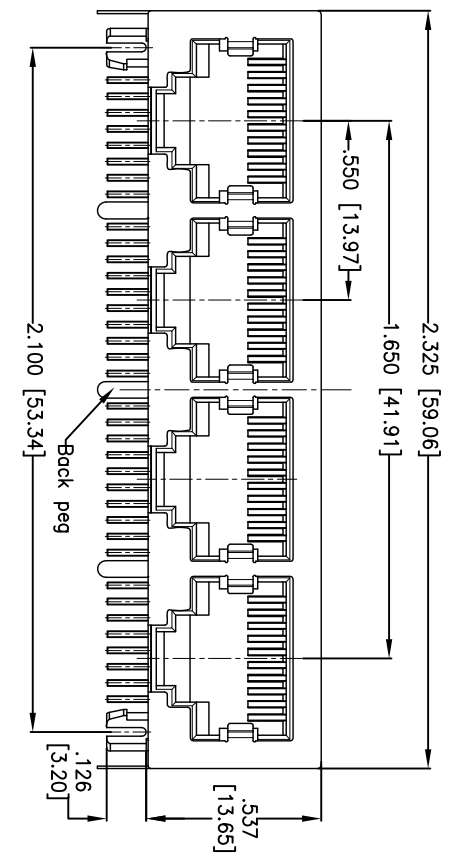


Rev	AWO #	Description	Date	Appr
-		RELEASED	1/25/11	

APPROVED: _____
 DATE: _____ TITLE: _____



RECOMMENDED PCB LAYOUT

SPECIFICATIONS:

Material:

Insulator: PBT, glass reinforced, rated UL 94V-0

Insulator color: Black

Contacts: Phosphor Bronze

Shield: Copper Alloy, Nickel plated

Contact Plating:

Gold Flash over Nickel underplate on contact area,
 Tin over Copper underplate on tails
 (See chart for thickness).

Electrical:
 Operating voltage: 125 VAC max
 Current rating: 1.5 Amps max
 Contact Resistance: 30 mohms max. initial
 Insulation resistance: 500 Mohms min
 Dielectric withstanding voltage: 1000 VAC for 1 minut
 Temperature Rating:

Operating temperature: -40°C to +85°C

Environmental:

Lead free, RoHS compliant.

Recommended soldering temp: 235°C for 5 sec.

X	PLATING
0	15 µin Gold
1	30 µin Gold
2	50 µin Gold

A

A

B

B

C

C

D

D

6

5

4

3

2

1

ADAM TECH
 909 Ratway Avenue, Union, NJ 07083
 Phone: 908-687-5000 Fax: 908-687-5710

MODULAR JACK GANGGED, 4 PORT, 10P10C

UNLESS OTHERWISE SPECIFIED ALL DIMENSIONS ARE INCHES [MM]	DATE	DATE	DATE
TOLERANCES: EXCEPT AS NOTED	AY	1/25/11	1/25/11
INCHES	CHECKED	JL	1/25/11
HOLES	APPROVED		
.X ± .10			
.XX ± .020			
.XXX ± .015			
.XXX ± .015			
Ø.X ± .10			
Ø.XXX ± .015			
Ø.XXX ± .010			

DRAWN	AY	1/25/11
CHECKED	JL	1/25/11
APPROVED		

SIZE	PART NO.	REV.
X	MTJG-4-1010TX1-FSG	-
REF:	S00167T	SCALE: NTS
		SHEET 1 OF 1

