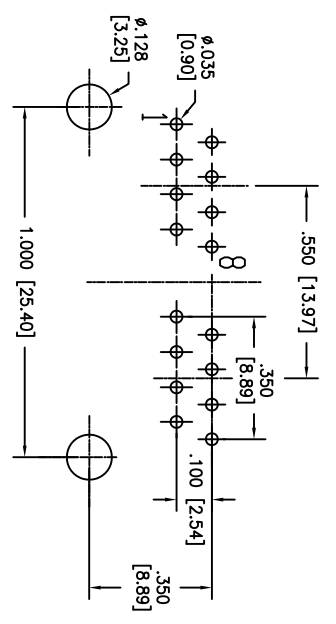
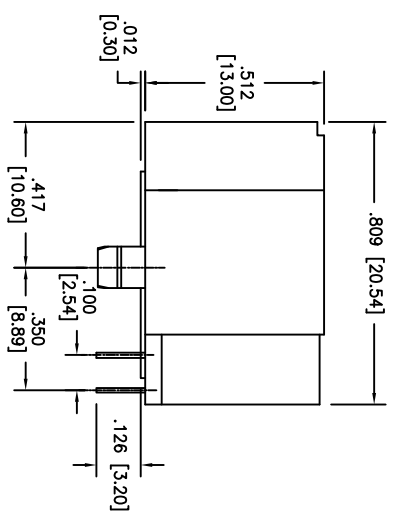
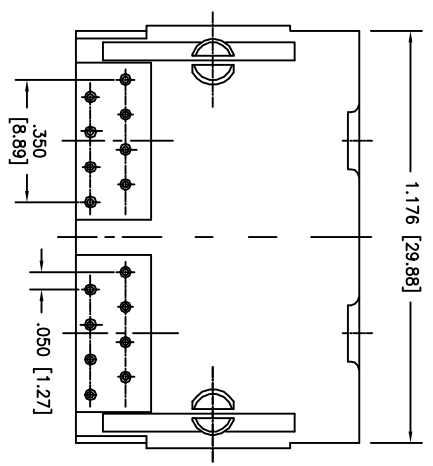
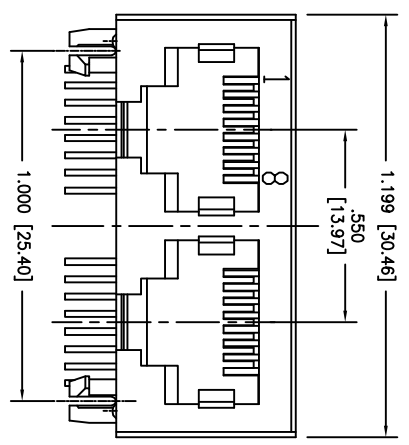


APPROVED: _____
 DATE: _____ TITLE: _____

Rev	AWO #	Description	Date	Appr
-		RELEASED	12/12/05	
A		REDRAWN	10/08/10	



RECOMMENDED PCB LAYOUT

X	PLATING
0	15 μin Gold
1	30 μin Gold
2	50 μin Gold

SPECIFICATIONS:

Material: Insulator: PBT, glass reinforced, rated UL 94V-0
 Insulator color: Black
 Contacts: Phosphor Bronze
 Contact Plating: Gold Flash over Nickel underplate on contact area, Tin over Copper underplate on tails
 (See chart for thickness).

Electrical:

Operating voltage: 125 VAC max
 Current rating: 1.5 Amps max
 Contact Resistance: 35 mohms max. initial
 Insulation Resistance: 1000 Mohms min @ 500 VDC
 Dielectric withstanding voltage: 1000 VAC for 1 minut

Temperature Rating:

Operating temperature: -40°C to +85°C
 Environmental: Lead free, RoHS compliant.
 Recommended soldering temp: 235°C for 5 sec.



UNLESS OTHERWISE SPECIFIED
 ALL DIMENSIONS ARE INCHES [MM]
 TOLERANCES: EXCEPT AS NOTED
 INCHES HOLES
 .X ± .10 Ø.X ± .10
 .XX ± .020 Ø.XXX ± .015
 .XXX ± .015 Ø.XXX ± .010

ADAM TECH
 909 Rahway Avenue, Union, NJ 07083
 Phone: 908-687-5000 Fax: 908-687-5710

MODULAR JACK GANGED, 2 PORT, 8P8C

APPROVALS	DATE
DRAWN	DY
CHECKED	
APPROVED	

SIZE	PART NO.	REV.
X	MTJG-2-88TX1	A
REF:	S00005C	SCALE: NTS
		SHEET 1 OF 1