

6

5

4

3

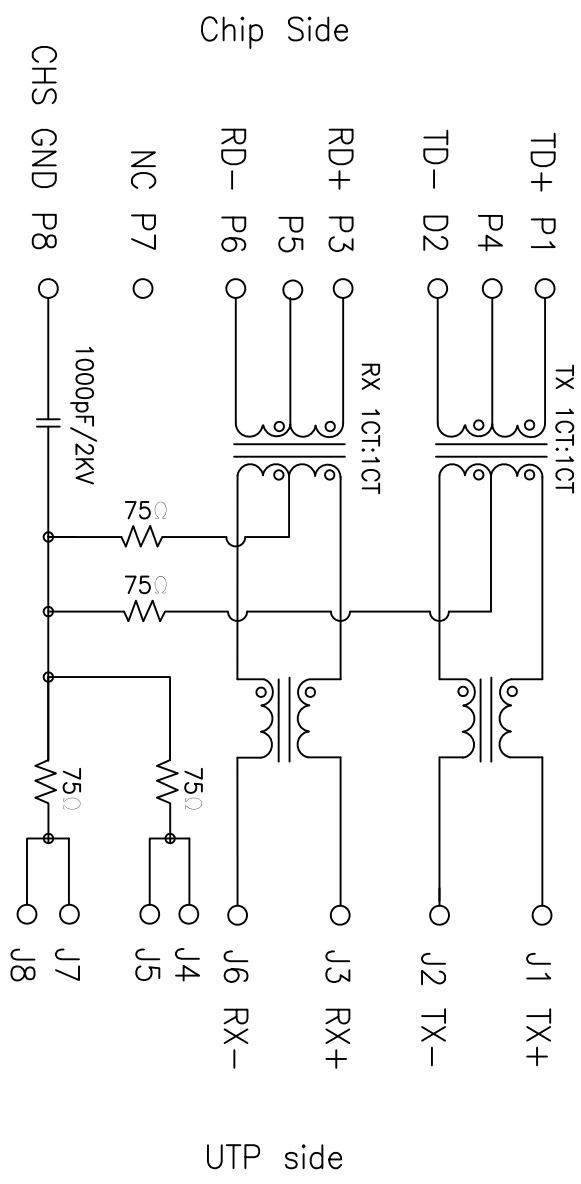
2

1

Rev	AWO #	Description	Date	Appr
		SEE SHT 1 OF 2 FOR REVISION		

APPROVED: _____

DATE: _____ TITLE: _____



SPECIFICATIONS:

1. Turn Ratio: ($\pm 2\%$)
TX=1CT:1CT RX=1CT:1CT
2. Return Loss (dBMin):
1-30MHz:-18 30-60MHz:-16
60-80MHz:-14
3. Crosstalk:
1-100MHz:-35dB Min
4. Insertion Loss:
1-100MHz:-1.0dB Max
5. CMR:
1-100MHz:-35dB Min
6. 350uH min OCL with 8mA bias current.
7. Isolation Voltage: 1500V

UNLESS OTHERWISE SPECIFIED
ALL DIMENSIONS ARE INCHES [MM]

TOLERANCES: EXCEPT AS NOTED

.X	$\pm .10$	$\emptyset .X$	$\pm .10$
.XX	$\pm .020$	$\emptyset .XX$	$\pm .015$
.XXX	$\pm .015$	$\emptyset .XXX$	$\pm .010$

Holes

ADAM TECH

909 Rahway Avenue, Union, NJ 07083
Phone: 908-687-5000 Fax: 908-687-5710

TITLE: MODULAR JACK GANGED, 2 PORT, 8P8C
W/LED1 YELLOW, LED2 GREEN

DRAWN	DY	4/28/10	DATE
CHECKED			
APPROVED			

SIZE	PART NO.	REV.
X	MTJG-2-88TX1-FSD-PG-LG-M6	-

REF: S00043C SCALE: NTS SHEET 2 OF 2

6

5

4

3

2

1