

6

5

4

3

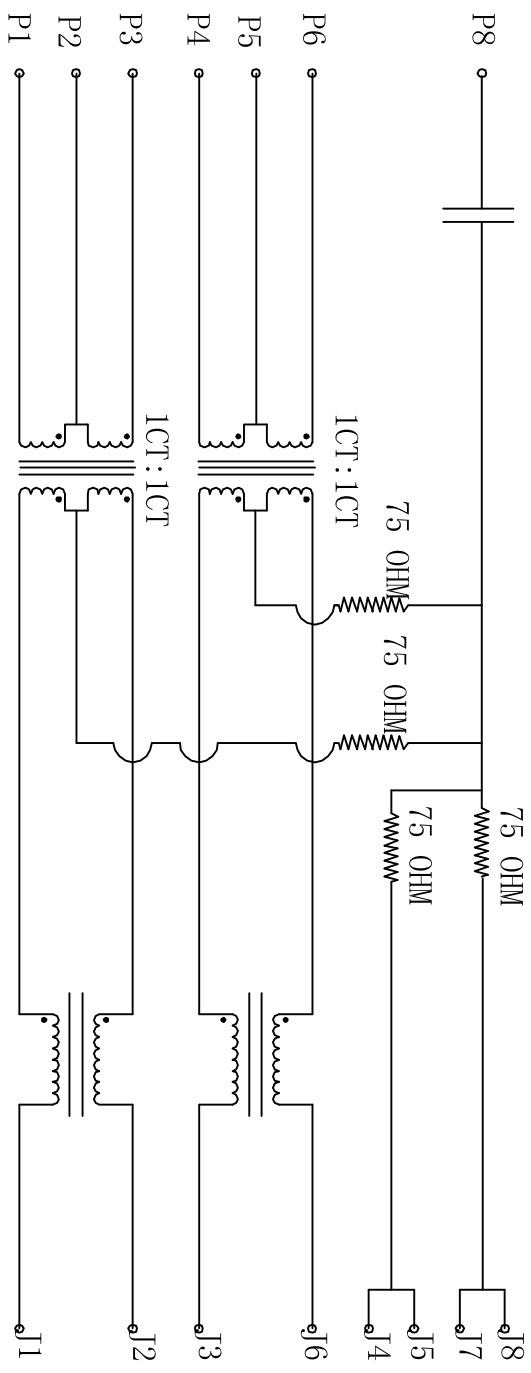
2

1

Rev	AWO #	Description	Date	Appr
		SEE SHT 1 OF 2 FOR REVISION		

APPROVED: _____

DATE: _____ TITLE: _____



ELECTRICAL SPECIFICATIONS

- Turns Ratio: (P1 ~ P3) : (J1 ~ J2) 1:1 ±3%
(P4 ~ P6) : (J3 ~ J6) 1:1 ±3%
- Inductance: (P1 ~ P3) 350uH min. @ 0.1V, 100KHZ, 8mA DC Bias
(P4 ~ P6) 350uH min. @ 0.1V, 100KHZ, 8mA DC Bias
- Leakage Inductance: P1 ~ P3 (with J1 and J2 Short): 0.35uH Max. @ 1 MHz
P4 ~ P6 (with J3 and J6 Short): 0.35uH Max. @ 1 MHz
- Interwinding Capacitor: (P1 ~ P3) : (J1 ~ J2): 35pF max. @ 1MHz
(P4 ~ P6) : (J3 ~ J6): 35pF max @ 1mhz
- DC Resistance: (J1 ~ J2) : (J3 ~ J6): 1.2 Ohms Max.
- Return Loss: 1MHz to 30MHz: -18dB min / 30MHz to 80MHz: -12dB min
- Dielectric Withstanding: (P1~P3) : (J1~J2): (P4~P6) : (J3~J6) :1500V AC
- Insertion Loss: RS=RL=100OHM : 100KHZ TO 80MHZ : -1.2dB Min.
- Rise Time: RS=1000HMS and RL=1000HMS
Output Voltage= 1V peak: 3.0nS Max
Pulse Width= 112nS: 3.0nS Max
- Cross Talk: 1MHZ to 100MHZ: -33dB Typ.
- Common to Common mode Attention 30MHZ to 100MHZ: -35dB Typ.

UNLESS OTHERWISE SPECIFIED
ALL DIMENSIONS ARE INCHES [MM]
TOLERANCES: EXCEPT AS NOTED
INCHES
.X ± .10 Ø.X ± .10
.XX ± .020 Ø.XXX ± .015
.XXX ± .015 Ø.XXX ± .010

ADAM TECH
909 Rahway Avenue, Union, NJ 07083
Phone: 908-687-5000 Fax: 908-687-5710

TITLE: MODULAR JACK GANGED, 2 PORT, 8P8C

APPROVALS	DATE	SIZE	PART NO.	REV.
DRAWN	DY	5/28/10	MTJG-2-88TX1-FSB-PG-M5	-
CHECKED				
APPROVED				
REF:	S00005C	SCALE:	NTS	SHEET 2 OF 2