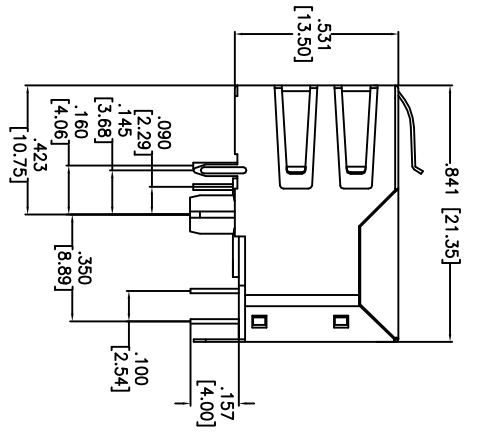
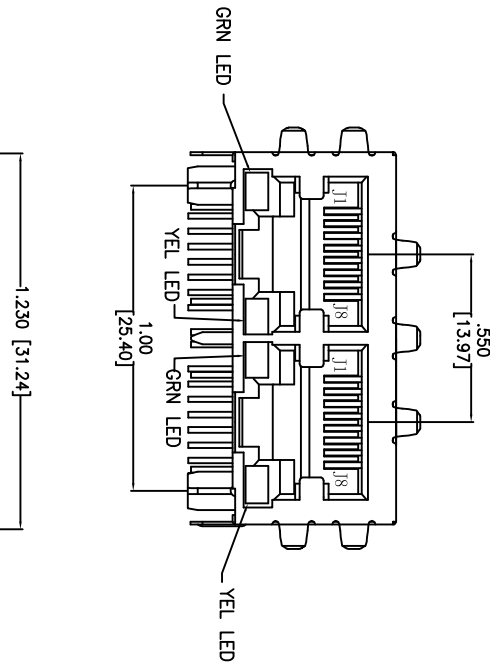


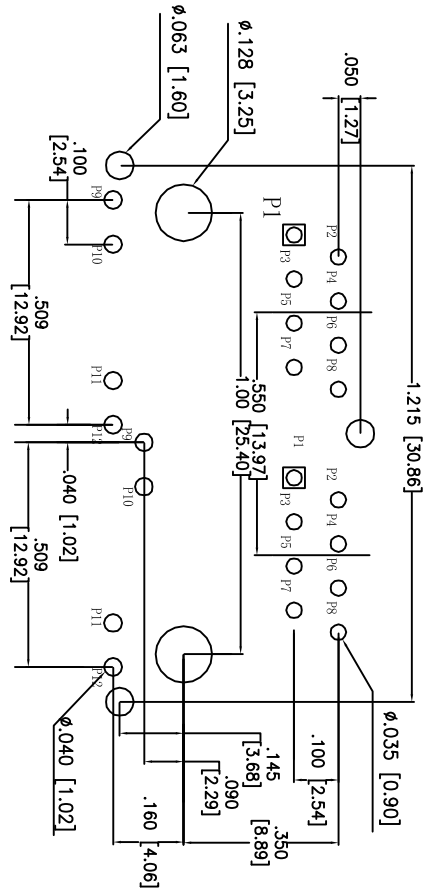
Rev	AWO #	Description	Date	Appr
-		RELEASED	3/20/08	

APPROVED: _____
 DATE: _____ TITLE: _____



LED SPECIFICATION			
LED	WAVE LENGTH	FORWARD V (MAX.)	TYP.
GREEN	565nm	2.4V	2.2V
YELLOW	590nm	2.5V	2.1V

* WITH A FORWARD CURRENT OF 20ma



RECOMMENDED
 PCB LAYOUT
 COMPONENT SIDE

SPECIFICATIONS:
 Material: Insulator: PBT, glass reinforced , thermoplastic, rated UL 94V-0
 Insulator color: Black
 Contacts: Copper Alloy
 Shield: Copper Alloy, Nickel plated
 Contact Plating:
 Gold Flash over Nickel underplate on contact area,
 Tin over Copper underplate on tails
 (See chart for thickness).

X	PLATING
0	15 μin Gold
1	30 μin Gold
2	50 μin Gold

Electrical:
 Operating voltage: 150 VAC max
 Current rating: 1.5 Amps max
 Contact Resistance: 20 mohms max. initial
 Insulation resistance: 500 Mohms min @ 500 VDC
 Dielectric withstanding voltage: 1000 VAC for 1 minut
 Temperature Rating:
 Operating temperature: -40°C to +125°C
 Environmental:
 Lead free, ROHS compliant.
 Recommended soldering temp: 235°C for 5 sec.



UNLESS OTHERWISE SPECIFIED
 ALL DIMENSIONS ARE INCHES [MM]
 TOLERANCES: EXCEPT AS NOTED
 INCHES HOLES
 .X ± .10 Ø.X ± .10
 .XX ± .020 Ø.XXX ± .015
 .XXX ± .015 Ø.XXXX ± .010
 APPROVALS DATE

ADAM TECH
 909 Rahway Avenue, Union, NJ 07083
 Phone: 908-687-5000 Fax: 908-687-5710
 MODULAR 100/1000 BASE T JACK, GANGED
 2 PORT, 8P8C, SHIELDED, W/ MAGNETICS

DRAWN	DY	3/20/08	SIZE	PART NO.	REV.
CHECKED			X	MTJG-2-88TX1-FSB-PG-LHM64	
APPROVED			REF:	SCALE: NTS	SHEET 1 OF 2