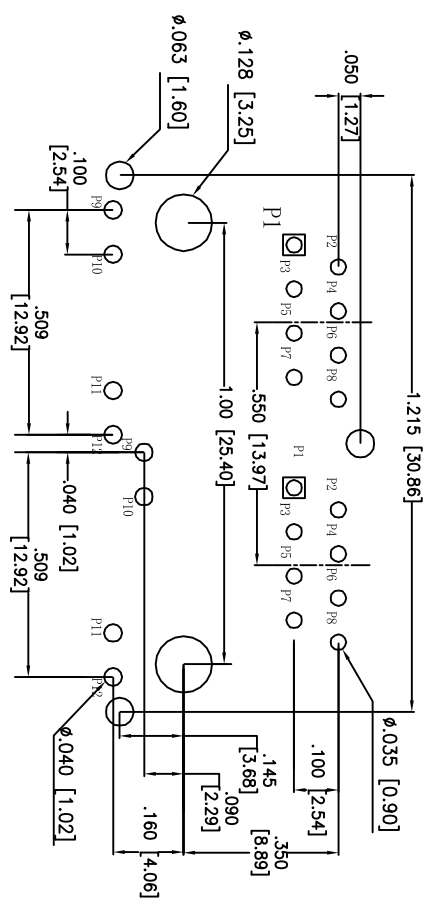
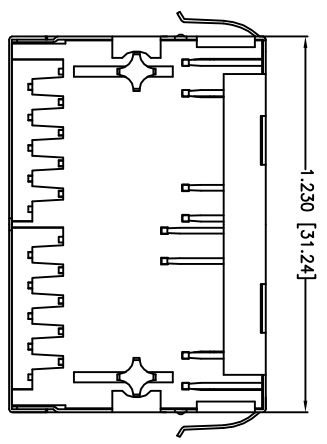
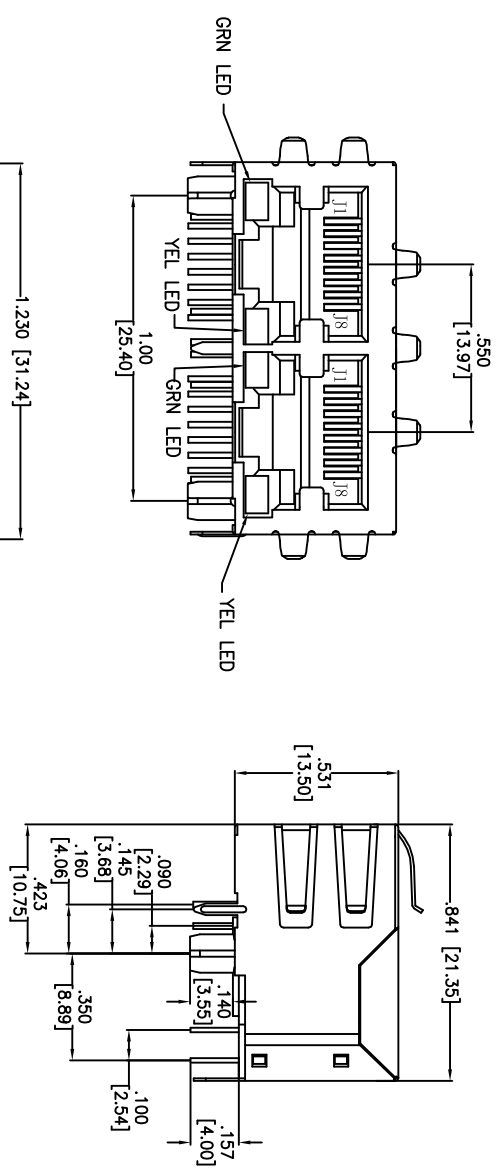


Rev	AWO #	Description	Date	Appr
-	9623	RELEASED	6/22/09	

APPROVED: \_\_\_\_\_  
 DATE: \_\_\_\_\_ TITLE: \_\_\_\_\_



X	PLATING
0	15 μin Gold
1	30 μin Gold
2	50 μin Gold

**SPECIFICATIONS:**  
 Material: Insulator: PBT, glass reinforced , thermoplastic, rated UL 94V-0  
 Insulator color: Black  
 Contacts: Copper Alloy  
 Shield: Copper Alloy, Nickel plated  
 Contact Plating: Gold Flash over Nickel underplate on contact area, Tin over Copper underplate on tails  
 (See chart for thickness).

**Electrical:**  
 Operating voltage: 150 VAC max  
 Current rating: 1.5 Amps max  
 Contact Resistance: 20 mohms max. initial  
 Insulation resistance: 500 Mohms min @ 500 VDC  
 Dielectric withstanding voltage: 1000 VAC for 1 minut  
 Temperature Rating: Operating temperature: -40°C to +125°C  
 Environmental: Lead free, RoHS compliant.  
 Recommended soldering temp: 235°C for 5 sec.

RECOMMENDED  
 POB LAYOUT  
 COMPONENT SIDE

UNLESS OTHERWISE SPECIFIED  
 ALL DIMENSIONS ARE INCHES [MM]  
 TOLERANCES: EXCEPT AS NOTED  
 INCHES HOLES  
 .X ± .10 Ø.X ± .10  
 .XX ± .020 Ø.XX ± .015  
 .XXX ± .015 Ø.XXX ± .010

**ADAM TECH**  
 909 Railway Avenue, Union, NJ 07083  
 Phone: 908-687-5000 Fax: 908-687-5710

TITLE: MODULAR JACK GANGED, 2 PORT, 8P8C  
 W/ LEDs

REV.	DATE	BY	CHKD.	APP'D.	REF.	SCALE	SHEET	OF
X	6/22/09	DY			S00005C	NIS	1	2

