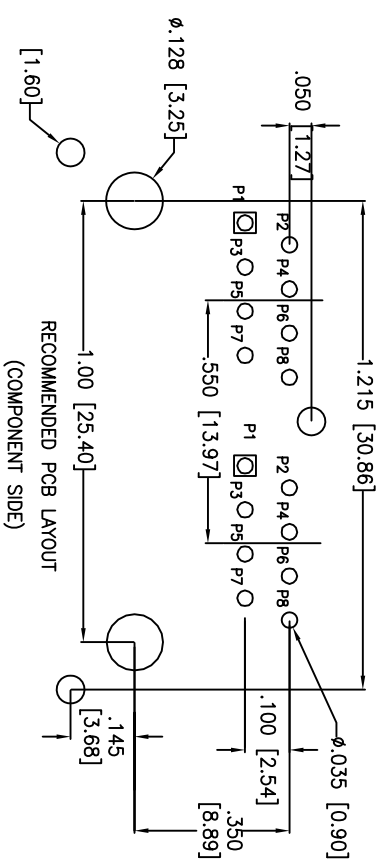
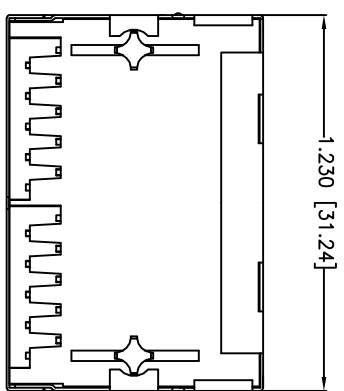
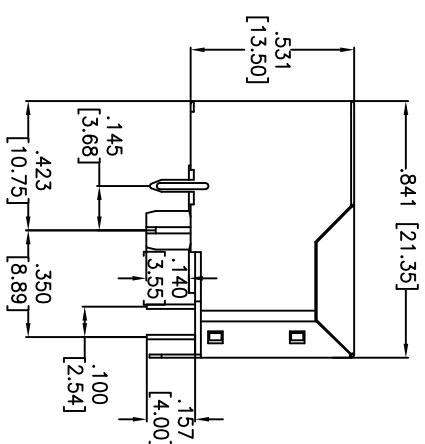
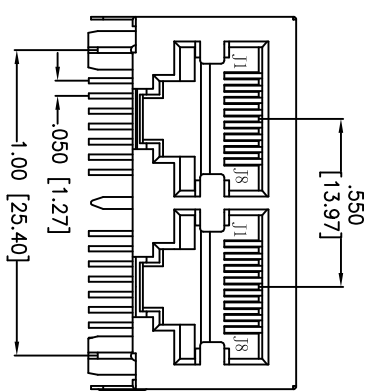


Rev	AWO #	Description	Date	Appr
-		RELEASED	6/25/09	

APPROVED: _____

DATE: _____ TITLE: _____



RECOMMENDED PCB LAYOUT
(COMPONENT SIDE)

SPECIFICATIONS:

- Material: Insulator: PBT, glass reinforced , thermoplastic, rated UL 94V-0
- Insulator color: Black
- Contacts: Copper Alloy
- Shield: Copper Alloy, Nickel plated
- Contact Plating: Gold Flash over Nickel underplate on contact area, Tin over Copper underplate on tails (See chart for thickness).
- Electrical: Operating voltage: 150 VAC max
Current rating: 1.5 Amps max
Contact Resistance: 20 mohms max. initial
Insulation resistance: 500 Mohms min @ 500 VDC
Dielectric withstanding voltage: 1000 VAC for 1 minut
- Temperature Rating: Operating temperature: -40°C to +125°C
- Environmental: Lead free, ROHS compliant.
- Recommended soldering temp: 235°C for 5 sec.

X	PLATING
0	15 µin Gold
1	30 µin Gold
2	50 µin Gold

UNLESS OTHERWISE SPECIFIED
ALL DIMENSIONS ARE INCHES [MM]
TOLERANCES: EXCEPT AS NOTED

.X	± .10	Ø.X	± .10
.XX	± .020	Ø.XXX	± .015
.XXX	± .015	Ø.XXXX	± .010

APPROVALS

DRAWN	DY	DATE
CHECKED		
APPROVED		

ADAM TECH
909 Rahway Avenue, Union, NJ 07083
Phone: 908-687-5000 Fax: 908-687-5710

TITLE: MODULAR JACK GANGED, 2 PORT, 8P8C

SIZE	PART NO.	REV.
X	MTJG-2-88TX1-FSB-M4	
REF: S00005C	SCALE: NTS	SHEET 1 OF 2