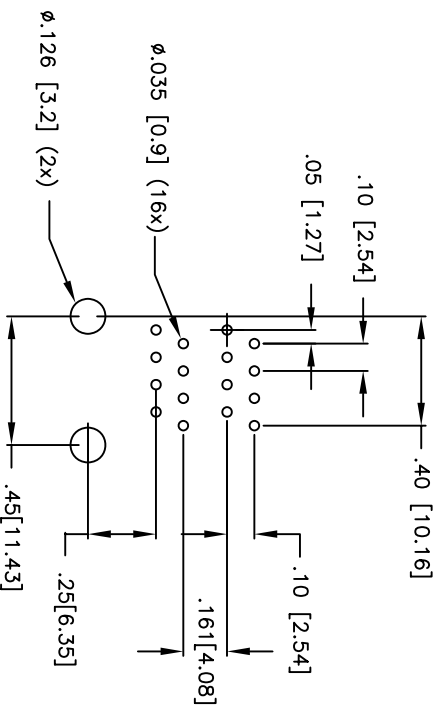
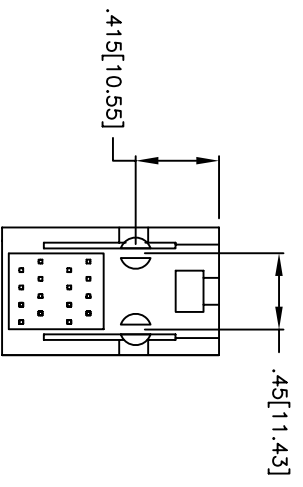
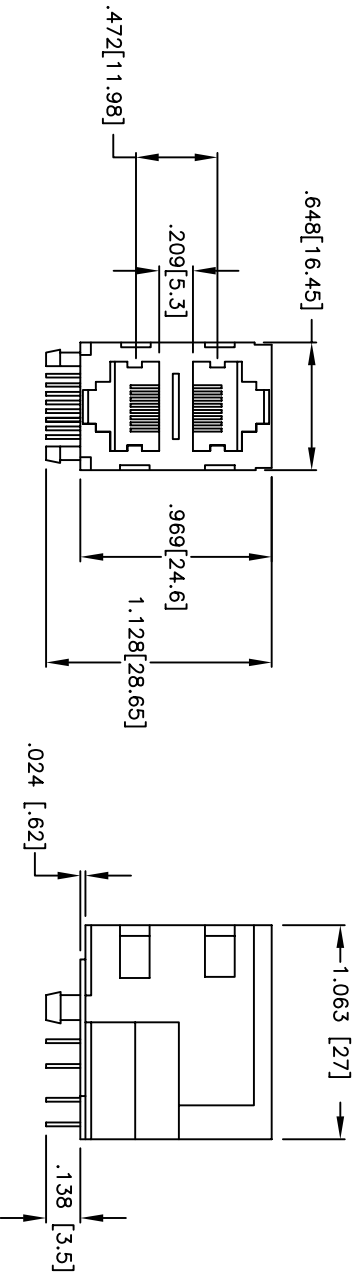


Rev	AWO #	Description	Date	Appr
-		RELEASED	1.19/06	

APPROVED: _____
 DATE: _____ TITLE: _____



**RECOMMENDED
 PCB LAYOUT (TOP VIEW)**

SPECIFICATIONS:

Material:
 Insulator: PBT, glass reinforced thermoplastic, rated UL 94V-0
 Insulator color: Black
Contacts: Phosphor Bronze
Contact Plating:
 Tin over Copper underplate on tails
 Gold Flash over Nickel underplate on contact area.
 (See chart for thickness).

Electrical:
 Operating voltage: 150 VAC max
 Current rating: 1.5 Amps max
 Contact Resistance: 20 mohms max. Initial
 Insulation resistance: 500 Mohms min @ 500 VDC
 Dielectric withstanding voltage: 1000 VAC for 1 minut
 Temperature Rating:
 Operating temperature: -40°C to +125°C
 Environmental:
 Lead free, RoHS compliant.
 Recommended soldering temp: 235 for 5 sec.

X	PLATING
0	15 μ m Gold
1	30 μ m Gold
2	50 μ m Gold

UNLESS OTHERWISE SPECIFIED
 ALL DIMENSIONS ARE INCHES [MM]
 TOLERANCES: EXCEPT AS NOTED
 INCHES HOLES
 .X ± .10 Ø.X ± .10
 .XX ± .020 Ø.XXX ± .015
 .XXX ± .015 Ø.XXXX ± .010
 APPROVALS DATE

ADAM TECH
 909 Rahway Avenue, Union, NJ 07083
 Phone: 908-687-5000 Fax: 908-687-5710

**MODULAR JACK, 2 PORT, 8P8C STACKED
 PCB**

TITLE: _____
 SIZE: _____ PART NO.: **MTJG-2-88JX1**
 REF: _____ SCALE: NTS SHEET 1 OF 1

