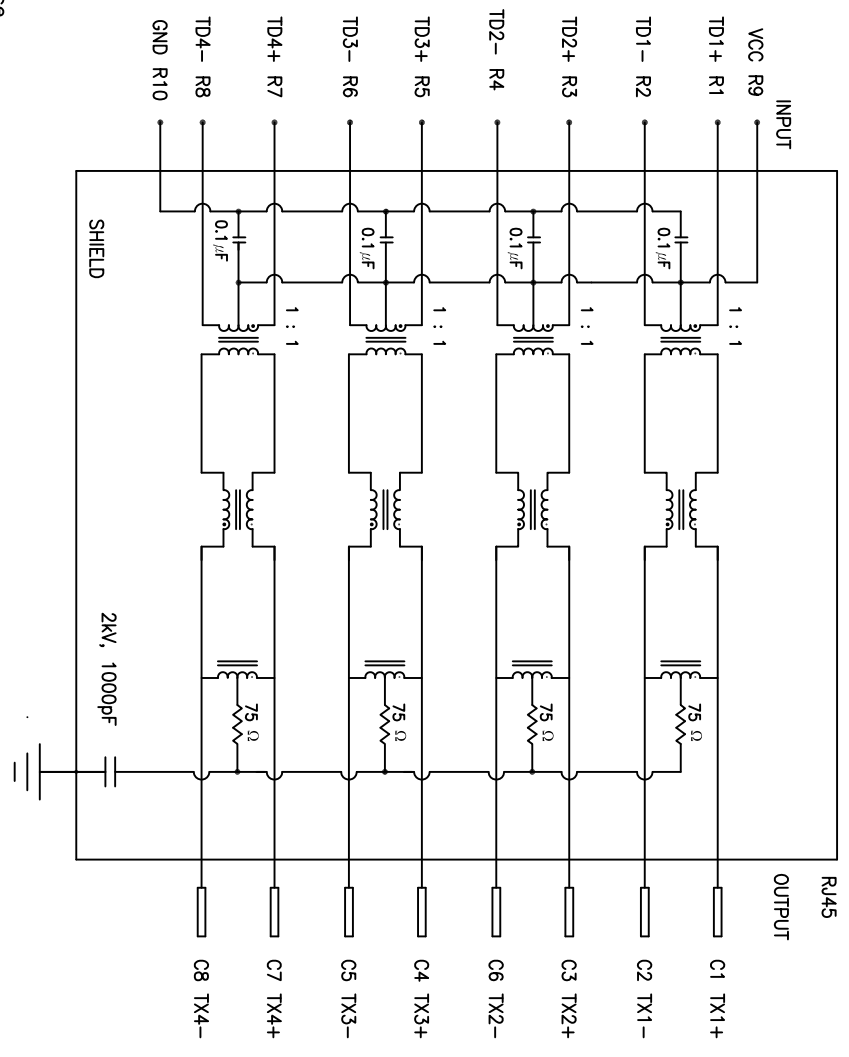


Rev	AWO #	Description	Date	Appr
		SEE SHT 1 OF 2 FOR REVISION		

APPROVED: \_\_\_\_\_

DATE: \_\_\_\_\_ TITLE: \_\_\_\_\_



**SPECIFICATIONS:**

Transmitter filter & Receiver filter  
 Type: Balance low pass 100Ω impedance  
 Insertion loss: 1~100MHz-1.0dB MAX.  
 Return loss: 1~30MHz-18dB MIN. load 100Ω  
 30~60MHz-16dB MIN. load 100Ω  
 60~80MHz-12dB MIN. load 100Ω  
 80~100MHz-10dB MIN. load 100Ω

Common Mode Rejection  
 @1~100MHz-30dB MIN.

Cross Talk  
 @1~100MHz-30dB MIN.

INDUCTANCE@100KHz, 0.1V, 8mA DC BIAS  
 Input(R1-R2), Input(R3-R4): 350uH MIN.  
 Input(R5-R6), Input(R7-R8): 350uH MIN.

HiPot TEST

Input(R1-R2) to Output(C1-C2): 1500 VAC, 60sec or 2250VDC, 60sec  
 Input(R3-R4) to Output(C3-C6): 1500 VAC, 60sec or 2250VDC, 60sec  
 Input(R5-R6) to Output(C4-C5): 1500 VAC, 60sec or 2250VDC, 60sec  
 Input(R7-R8) to Output(C7-C8): 1500 VAC, 60sec or 2250VDC, 60sec

UNLESS OTHERWISE SPECIFIED  
 ALL DIMENSIONS ARE INCHES [MM]  
 TOLERANCES: EXCEPT AS NOTED

.X	± .10	Ø.X	± .10
.XX	± .020	Ø.XXX	± .015
.XXX	± .015	Ø.XXX	± .010

APPROVALS

DRAWN	DY	DATE
		7/08/10

**ADAM TECH**  
 909 Rahway Avenue, Union, NJ 07083  
 Phone: 908-687-5000 Fax: 908-687-5710

TITLE: MODULAR JACK GANGED, 2 PORT, 8P8C  
 W/LED1 YELLOW, LED2 ORANGE/GREEN

CHECKED		SIZE	PART NO.	REV.
APPROVED		X	MTJG-2-88JX1-V-FSG-PG-LM-M67	
		REF:	S00073T	
		SCALE:	NTS	SHEET 2 OF 2