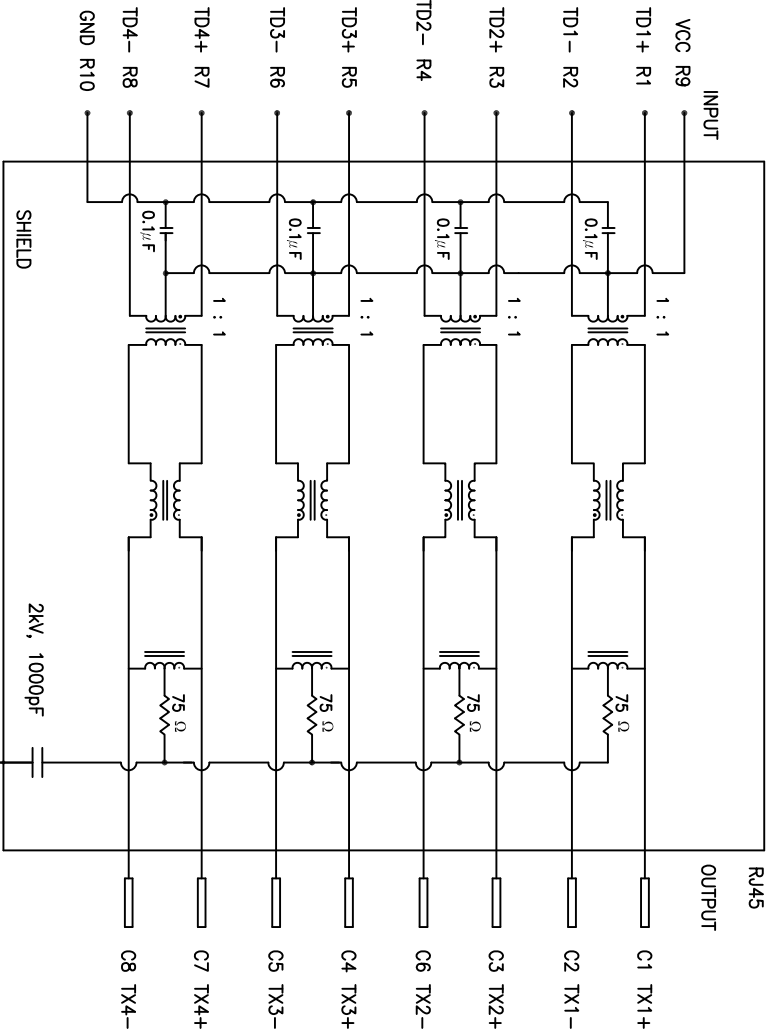


APPROVED: _____

DATE: _____ TITLE: _____

Rev	AWO #	Description	Date	Appr
		SEE SHT 1 OF 2 FOR REVISION		



SPECIFICATIONS:

Transmitter filter & Receiver filter
 Type: Balance low pass 100Ω impedance
 Insertion loss: 1~100MHz -1.0dB MAX.
 Return loss: 1~30MHz -18dB MIN. load 100Ω
 30~60MHz -16dB MIN. load 100Ω
 60~80MHz -12dB MIN. load 100Ω
 80~100MHz -10dB MIN. load 100Ω

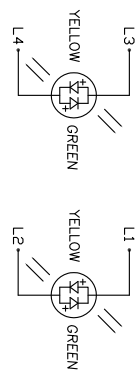
Common Mode Rejection
 @1~100MHz -30dB MIN.

Cross Talk
 @1~100MHz -30dB MIN.

Inductance @100KHz, 0.1V, 8mA DC BIAS
 Input(R1-R2), Input(R3-R4): 350uH MIN.
 Input(R5-R6), Input(R7-R8): 350uH MIN.

HiPot TEST

Input(R1-R2) to Output(C1-C2): 1500 VAC, 60sec or 2250VDC, 60sec
 Input(R3-R4) to Output(C3-C6): 1500 VAC, 60sec or 2250VDC, 60sec
 Input(R5-R6) to Output(C4-C5): 1500 VAC, 60sec or 2250VDC, 60sec
 Input(R7-R8) to Output(C7-C8): 1500 VAC, 60sec or 2250VDC, 60sec



UNLESS OTHERWISE SPECIFIED
 ALL DIMENSIONS ARE INCHES [MM]
 TOLERANCES: EXCEPT AS NOTED

INCHES	HOLES
.X ± .10	Ø.X ± .10
.XX ± .020	Ø.XXX ± .015
.XXX ± .015	Ø.XXX ± .010

APPROVALS

DRAWN	AY	DATE	10/7/10
CHECKED	AW	DATE	10/7/10
APPROVED		DATE	

ADAM TECH

909 Ratway Avenue, Union, NJ 07083
 Phone: 908-687-5000 Fax: 908-687-5710

TITLE: MODULAR JACK GANGED, 2 PORT, 8P8C

W/LED1 YELLOW/GREEN LED2 YELLOW/GREEN

SIZE	PART NO.	REV.
X	MTJG-2-88JX1-V-FSG-L16-M67	A
REF:	S0003T	SHEET 2 OF 2