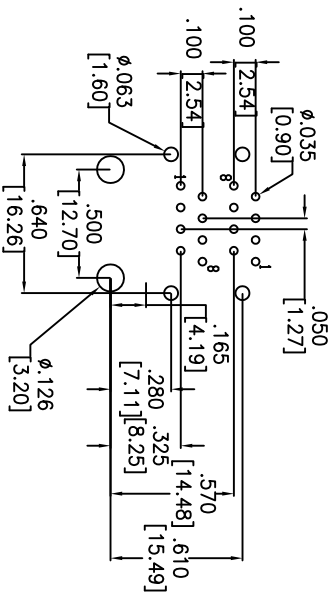
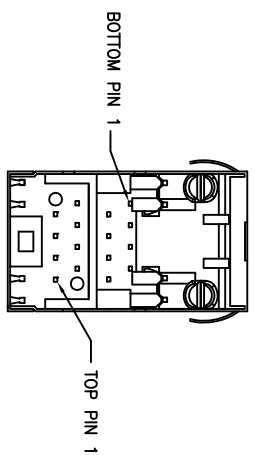
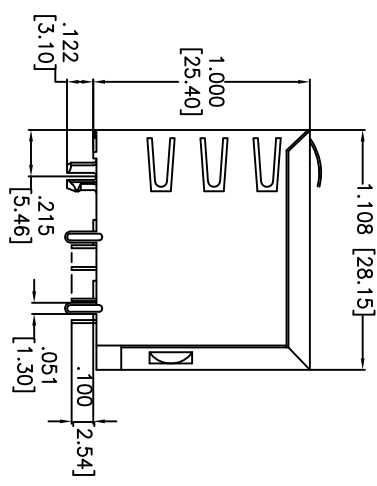
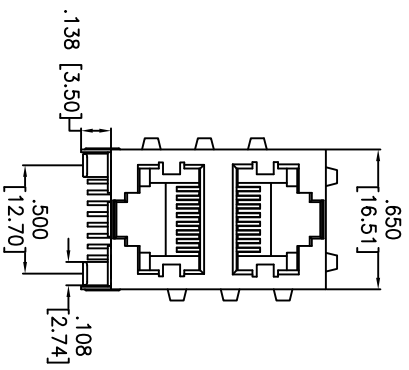


Rev	AWO #	Description	Date	Appr
-	11229	RELEASED	4/27/11	

APPROVED: _____
 DATE: _____ TITLE: _____



X	PLATING
0	15 μin Gold
1	30 μin Gold
2	50 μin Gold

RECOMMENDED PCB LAYOUT

SPECIFICATIONS:
 Material: Insulator: PBT, glass reinforced, rated UL 94V-0
 Insulator color: Black
 Contacts: Phosphor Bronze
 Shield: Copper Alloy, Nickel plated
 Contact Plating:
 X Gold over Nickel underplate on contact area,
 Tin over Copper underplate on tails
 (See chart for thickness).

A
 Electrical:
 Insulation resistance: 500 Mohms min
 Dielectric withstanding voltage: 1000 VAC min
 Temperature Rating:
 Operating temperature: 0°C to +70°C
 Environmental:
 Lead free, RoHS compliant.
 Recommended soldering temp: 235°C for 5 sec.



UNLESS OTHERWISE SPECIFIED	
ALL DIMENSIONS ARE INCHES [MM]	
TOLERANCES: EXCEPT AS NOTED	
.X	±.10
.XX	±.020
.XXX	±.015
.XXX	±.015
Ø.X	±.10
Ø.XXX	±.015
Ø.XXX	±.010
APPROVALS	
DRAWN	DY
CHECKED	
APPROVED	
DATE	4/27/11

ADAM TECH
 909 Rahway Avenue, Union, NJ 07083
 Phone: 908-687-5000 Fax: 908-687-5710

MODULAR JACK GANGED, 2PORT, 8P8C

SIZE	PART NO.	REV.
X	MTJG-2-88(X)-FSM-PG	-
REF: S00085T	SCALE: NTS	SHEET 1 OF 1

6 5 4 3 2 1