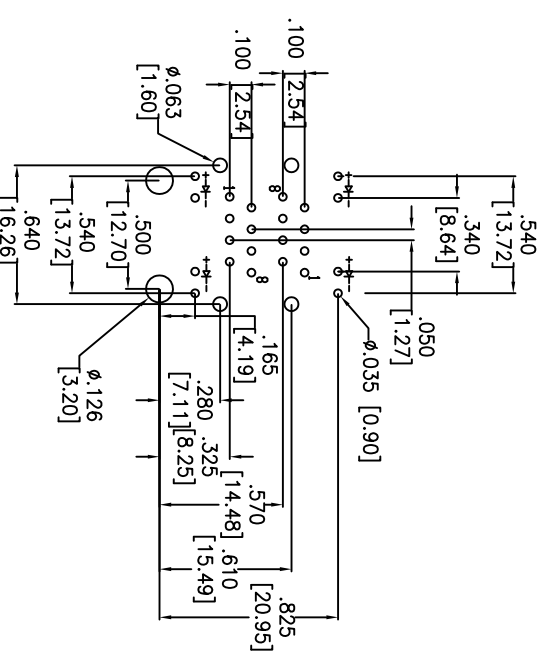
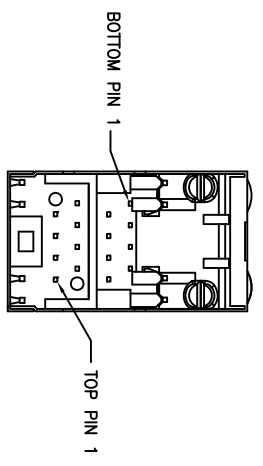
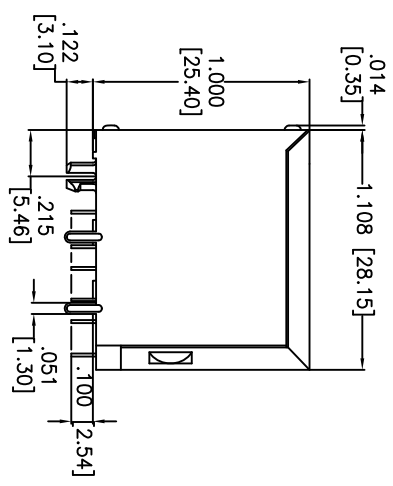
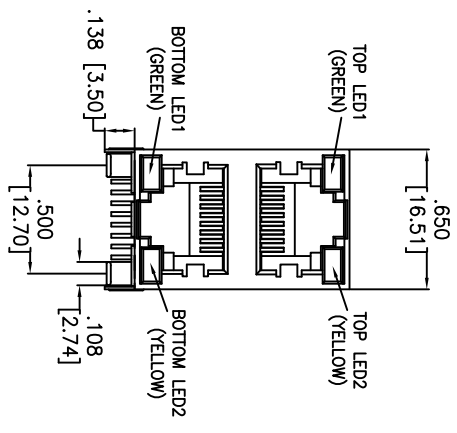


Rev	AWO #	Description	Date	Appr
-	9729	RELEASED	8/31/09	

APPROVED: \_\_\_\_\_  
 DATE: \_\_\_\_\_ TITLE: \_\_\_\_\_



X	PLATING
0	15 μin Gold
1	30 μin Gold
2	50 μin Gold

RECOMMENDED PCB LAYOUT

**SPECIFICATIONS:**  
 Material: \_\_\_\_\_  
 Insulator: PBI, glass reinforced, rated UL 94V-0  
 Insulator color: Black  
 Contacts: Phosphor Bronze  
 Shield: Copper Alloy, Nickel plated  
 Contact Plating: \_\_\_\_\_  
 Gold Flash over Nickel underplate on contact area,  
 Tin over Copper underplate on tails  
 (See chart for thickness).

**Electrical:**  
 Insulation resistance: 500 Mohms min  
 Dielectric withstanding voltage: 1000 VAC min  
 Temperature Rating: \_\_\_\_\_  
 Operating temperature: 0°C to +70°C

**Environmental:**  
 Lead free, RoHS compliant.  
 Recommended soldering temp: 235°C for 5 sec.



UNLESS OTHERWISE SPECIFIED	
ALL DIMENSIONS ARE INCHES [MM]	
TOLERANCES: EXCEPT AS NOTED	
INCHES	
.X	± .10
.XX	± .020
.XXX	± .015
.XXX	± .015
.XXX	± .010
HOLES	
Ø.X	± .10
Ø.XX	± .015
Ø.XXX	± .010
APPROVALS	
DATE	DATE
DRAWN	DY
CHECKED	
APPROVED	

**ADAM TECH**  
 909 Rahway Avenue, Union, NJ 07083  
 Phone: 908-687-5000 Fax: 908-687-5710

TITLE: MODULAR JACK GANGED, 2PORT, 8P8C  
 W/ LED1 GREEN, LED2 YELLOW

SIZE	PART NO.	REV.
X	MTJG-2-88X1-FSG-LH	-
REF: S00085T	SCALE: NTS	SHEET 1 OF 1