

6

5

4

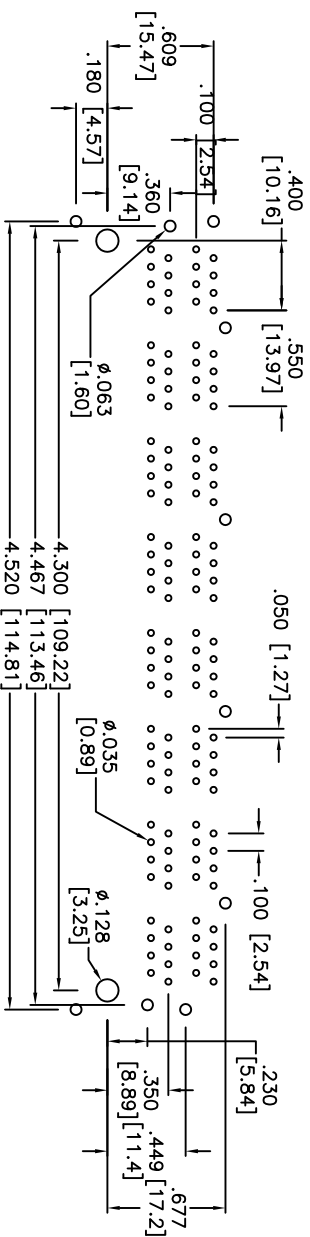
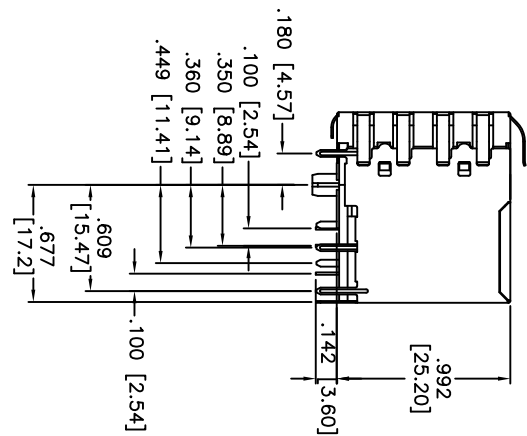
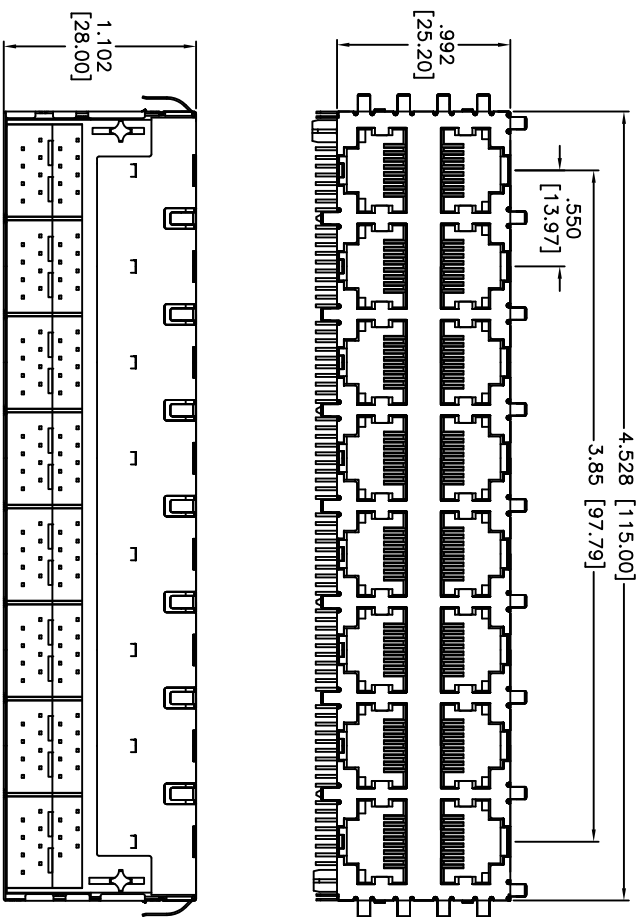
3

2

1

APPROVED: \_\_\_\_\_ TITLE: \_\_\_\_\_  
 DATE: \_\_\_\_\_

Rev	AWO #	Description	Date	Appr
-		RELEASED	2/22/06	
A		SHIELD RE-DESIGN	4/12/06	
B		REVISED MATERIAL & DIM.	10/05/10	



RECOMMENDED PCB LAYOUT

X	PLATING
0	15 $\mu$ m Gold
1	30 $\mu$ m Gold
2	50 $\mu$ m Gold

**SPECIFICATIONS:**  
 Material: Nylon 66, glass filled, rated UL 94V-0  
 Insulator color: Black  
 Shield: Brass, Nickel plated  
 Contacts: Phosphor Bronze  
 Plating:  
 Gold over Nickel underplate on contact area,  
 Tin over Copper underplate on tails.  
 (See thickness for chart)  
 Electrical:  
 Operating voltage: 125 VAC max  
 Current rating: 1.5 Amps max  
 Contact resistance: 40 mohms max  
 Insulation resistance: 1000 Mohms min @ 500 VDC  
 Dielectric withstanding voltage: 1000 VAC for 1 minute  
 Temperature Rating:  
 Operating temperature: -40°C to +85°C  
 Environmental:  
 Lead free, RoHS compliant.  
 Recommended soldering temp: 235°C for 5 sec.

UNLESS OTHERWISE SPECIFIED  
 ALL DIMENSIONS ARE INCHES [MM]  
 TOLERANCES: EXCEPT AS NOTED  
 INCHES Holes  
 .X .10  $\varnothing$ X  $\pm$ .10  
 .XX  $\pm$ .020  $\varnothing$ XXX  $\pm$ .015  
 .XXX  $\pm$ .015  $\varnothing$ XXX  $\pm$ .010

**ADAM TECH**

909 Ratway Avenue, Union, NJ 07083  
 Phone: 908-687-5000 Fax: 908-687-5710

MODULAR GANGED AND STACKED RJ45  
 RIGHT ANGLE PCB

APPROVALS	DATE
DRAWN	SS
CHECKED	
APPROVED	

SIZE	PART NO.	REV.
X	MTJG-16-88JX1-FSG-PG	B

REF: S00005C SCALE: NTS SHEET 1 OF 1

A

B

C

D

6

5

4

3

2

1

