

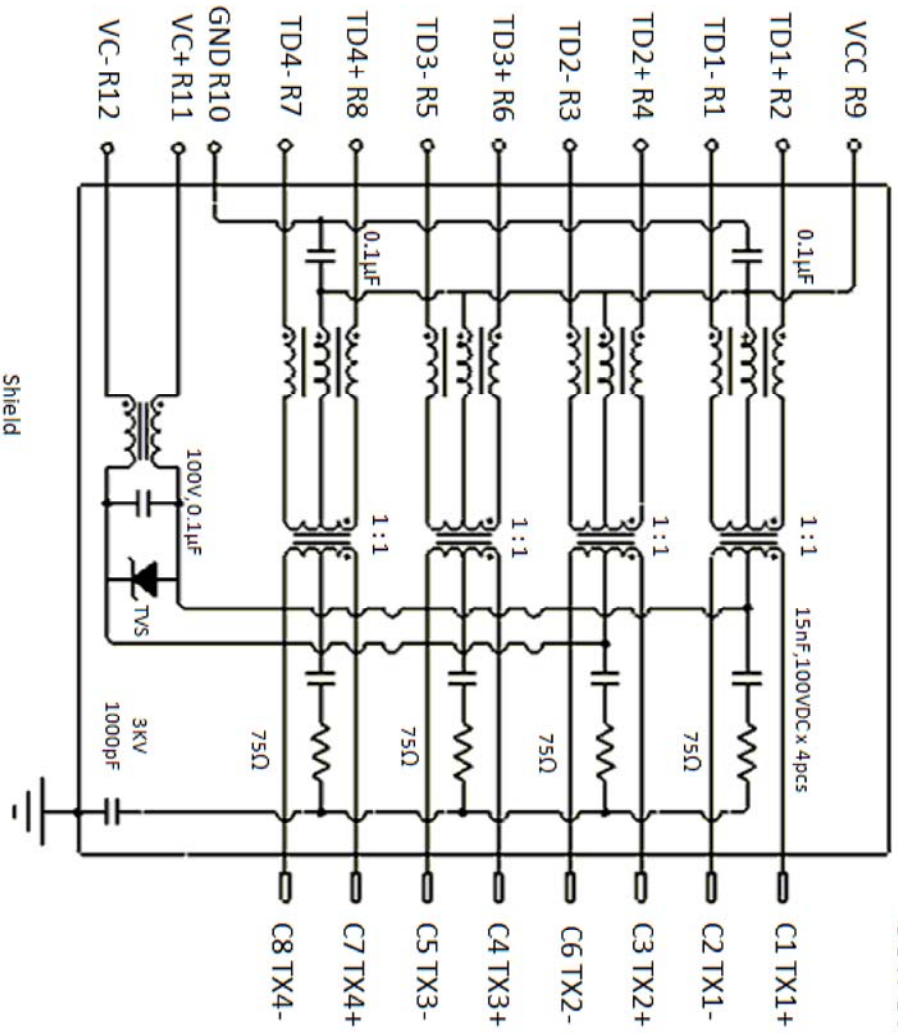
APPROVED: \_\_\_\_\_

DATE: \_\_\_\_\_ TITLE: \_\_\_\_\_

Rev	AWO #	Description	Date	Appr
		SEE SHT 1 OF 2 FOR REVISION		

D

INPUT OUTPUT R45



C

B

**SPECIFICATIONS:**  
Transmitter filter & Receiver filter  
Type: Balance low pass 100Ω impedance  
Insertion loss: 1~100MHz-1.0dB MAX.  
Return loss: 1~30MHz-18dB MIN. load 100Ω  
30~60MHz-16dB MIN. load 100Ω  
60~80MHz-12dB MIN. load 100Ω  
80~100MHz-10dB MIN. load 100Ω  
Common Mode Rejection  
@1~100MHz-30dB MIN.  
Cross Talk  
@1~100MHz-30dB MIN.  
INDUCTANCE@100KHz, 0.1V, 8mA DC BIAS  
Input(R2-R1),Input(R4-R3),Input(R6-R5),Input(R8-R7): 350uH MIN.  
HiPot TEST

A

Input(R2-R1) to Output(C1-C2):1500 VAC, 60sec or 2250VDC, 60sec  
Input(R4-R3) to Output(C3-C6):1500 VAC, 60sec or 2250VDC, 60sec  
Input(R6-R5) to Output(C4-C5):1500 VAC, 60sec or 2250VDC, 60sec  
Input(R8-R7) to Output(C7-C8):1500 VAC, 60sec or 2250VDC, 60sec  
Inductance(@100KHz,0.1V,20mA DC BIAS)  
Input(R2-R1),Input(R4-R3): 350uH MIN.  
Balanced DC line current  
720mA MAX @ 57VDC continuous  
1.2A MAX @ 57VDC for 200 milliseconds

**ADAM TECH**  
909 Rahway Avenue, Union, NJ 07083  
Phone: 908-687-5000 Fax: 908-687-5710

MODULAR JACK GANGED, 12 PORT, 8P8C

UNLESS OTHERWISE SPECIFIED ALL DIMENSIONS ARE MM TOLERANCES: EXCEPT AS NOTED	
.X ± .10	Ø.X ± .10
.XX ± .020	Ø.XXX ± .015
.XXX ± .015	Ø.XXX ± .010
HOLES	
APPROVALS	
DRAWN	DY
CHECKED	
APPROVED	
DATE	8/17/10

SIZE	PART NO.	REV.
X	MTJG-12-88JX1-V-FSG-PG-M113	
REF:	S0007T	
SCALE:	NIS	
SHEET	2 OF 2	