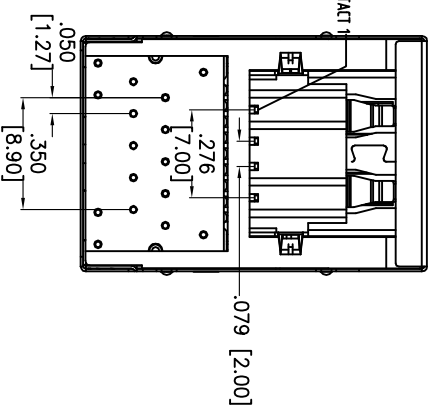
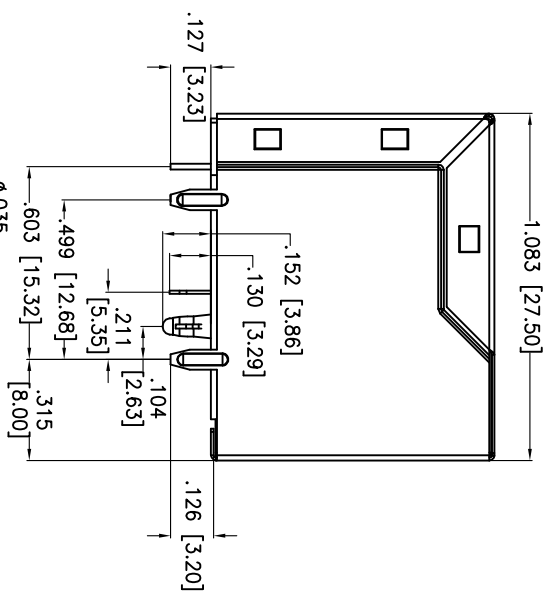
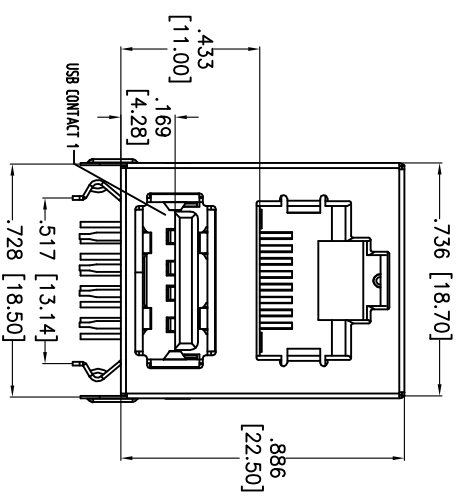
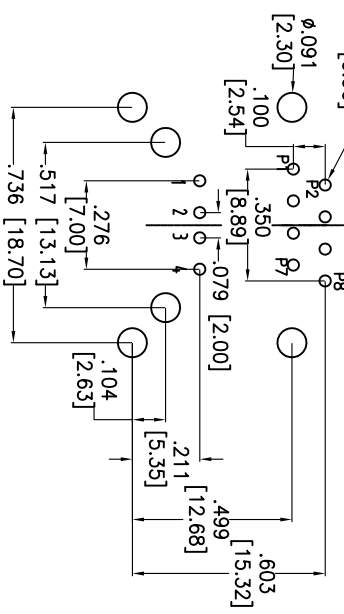


Rev	AWO #	Description	Date	Appr
-		RELEASED	2/11/10	

APPROVED: _____
 DATE: _____ TITLE: _____



X	PLATING
0	15 μin Gold
1	30 μin Gold
2	50 μin Gold



RECOMMENDED PCB LAYOUT

SPECIFICATIONS:

Material: PBT, glass reinforced, thermoplastic, rated UL 94V-0
 Insulator color: Black
 Contacts: Phosphor Bronze
 Shield: Copper Alloy, Nickel plated
 Contact Plating: Gold Flash over Nickel underplate on contact area, Tin over Copper underplate on tails
 (See chart for thickness).
 Electrical:
 RJ45:
 Insulation Resistance: 500M ohm Min
 Dielectric Withstanding Voltage: 1000VAC Min
 USB:
 Contact Current Rating: 1.5A Max
 Contact Resistance: 30m ohm Max
 Insulation Resistance: 1000M ohm Min
 Dielectric Withstanding Voltage: 500VAC Min
 Temperature Rating: Operating temperature: 0°C to +70°C
 Environmental: Lead free, RoHS compliant.
 Recommended soldering temp: 235°C for 5 sec.

UNLESS OTHERWISE SPECIFIED

ALL DIMENSIONS ARE INCHES [MM]
 TOLERANCES: EXCEPT AS NOTED
 INCHES: .X ±.10 Ø.X ±.10
 .XX ±.020 Ø.XXX ±.015
 .XXX ±.015 Ø.XXXX ±.010

ADAM TECH

909 Railway Avenue, Union, NJ 07083
 Phone: 908-687-5000 Fax: 908-687-5710

MODULAR JACK OVER USB, 8P8C

APPROVALS	DATE
DRAWN	DY
CHECKED	
APPROVED	

SIZE	PART NO.	REV.
X	MTJ-USB-88JX1-FS-01	-

REF: S000050 SCALE: NTS SHEET 1 OF 2

