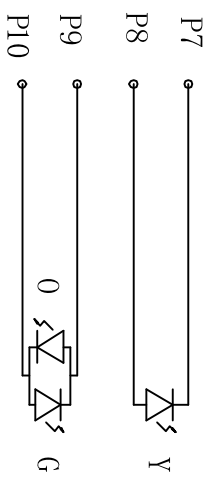
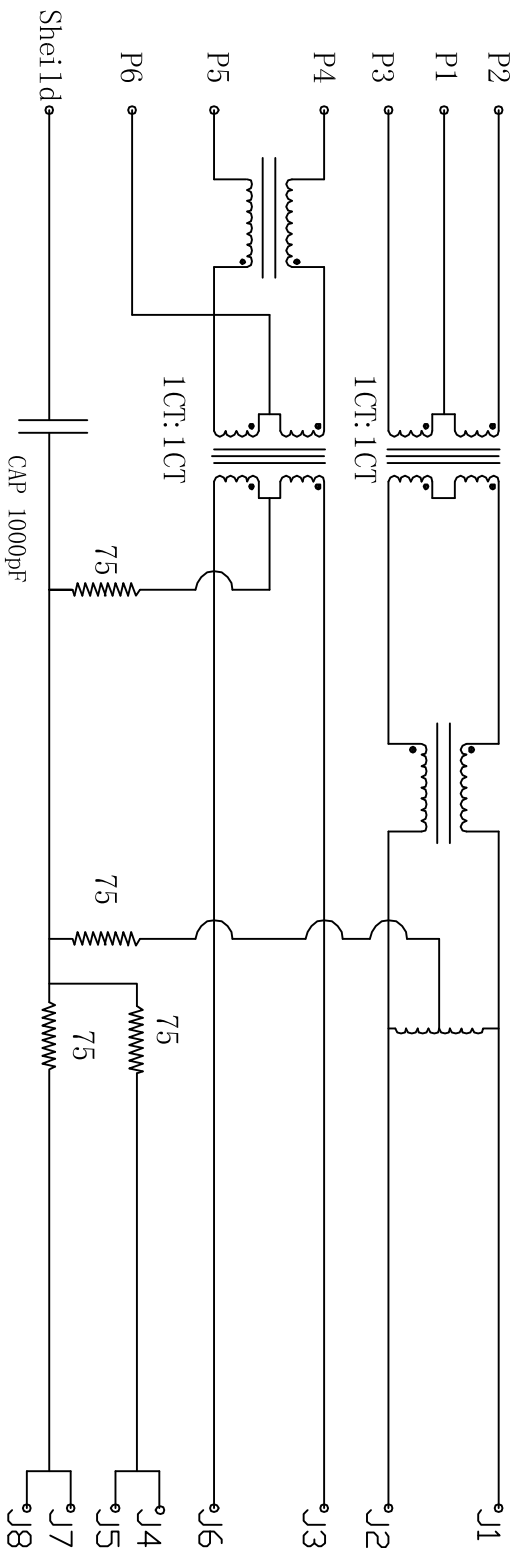


Rev	AWO #	Description	Date	Appr
		SEE SHT 1 OF 2 FOR REVISION		

APPROVED: \_\_\_\_\_

DATE: \_\_\_\_\_ TITLE: \_\_\_\_\_



**ELECTRICAL SPECIFICATIONS**

- Turns Ratio: (P2 ~ P3) : (J1 ~ J2) 1:1 ±3%  
(P4 ~ P5) : (J3 ~ J6) 1:1 ±3%
- Inductance: (P2 ~ P3) 350uH min. @ 0.1V, 100KHZ, 8mA DC Bias  
(P4 ~ P5) 350uH min. @ 0.1V, 100KHZ, 8mA DC Bias
- Leakage Inductance: P2 ~ P3 (with J1 and J2 Short): 0.35uH Max. @ 1 MHz  
P4 ~ P5 (with J3 and J6 Short): 0.35uH Max. @ 1 MHz
- Interwinding Capacitor: (P2 ~ P3) : (J1 ~ J2): 35pF max. @ 1MHz  
(P4 ~ P5) : (J3 ~ J6): 35pF max @ 1mhz
- DC Resistance: (J1 ~ J2) : (J3 ~ J6): 1.2 Ohms Max.
- Return Loss: 1MHZ to 30MHZ: -18dB min / 30MHZ to 80MHZ: -12dB min
- Dielectric Withstanding: (P2 ~ P3) : (J1 ~ J2): (P4 ~ P5) : (J3 ~ J6) :1500VAC
- Insertion Loss: RS=RL=100OHM : 100KHZ TO 80MHZ : -1.1dB Min.
- Cross Talk: 1MHZ to 100MHZ: 35dB Typ.
- Common to Common mode Attenuation 30MHZ to 100MHZ: 30dB Typ.

**ADAM TECH**

909 Rahway Avenue, Union, NJ 07083  
 Phone: 908-687-5000 Fax: 908-687-5710

TITLE: MODULAR JACK GANGED, 1 PORT, 8P8C  
 W/ LED1 ORN / GRN, LED2 YEL, DUAL USB

UNLESS OTHERWISE SPECIFIED ALL DIMENSIONS ARE INCHES [MM]		TOLERANCES: EXCEPT AS NOTED	
INCHES	HOLES	Ø.X	±.10
.X	±.10	Ø.XXX	±.015
.XX	±.020	Ø.XXX	±.010
.XXX	±.015	Ø.XXX	±.010
APPROVALS		DATE	
DRAWN	DY	10/29/09	
CHECKED			
APPROVED			
REF: S00005C	SCALE: NTS	SHEET 2 OF 2	REV: -