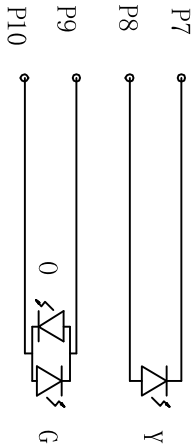
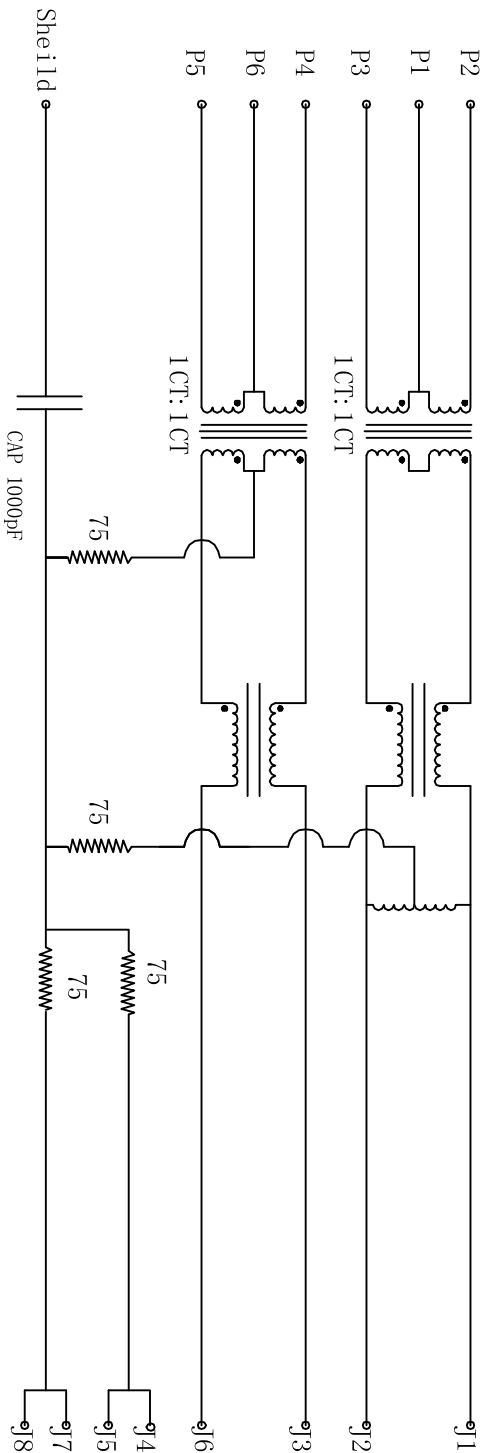


Rev	AWO #	Description	Date	Appr
		SEE SHT 1 OF 2 FOR REVISION		

APPROVED: \_\_\_\_\_

DATE: \_\_\_\_\_ TITLE: \_\_\_\_\_



**ELECTRICAL SPECIFICATIONS**

- Turns Ratio: (P2 ~ P3) : (J1 ~ J2) 1:1 ±3%  
(P4 ~ P5) : (J3 ~ J6) 1:1 ±3%
- Inductance: (P2 ~ P3) 350uH min. @ 0.1V, 100KHZ, 8mA DC Bias  
(P4 ~ P5) 350uH min. @ 0.1V, 100KHZ, 8mA DC Bias
- Leakage Inductance: P2 ~ P3 (with J1 and J2 Short): 0.3uH Max. @ 1 MHz  
P4 ~ P5 (with J3 and J6 Short): 0.3uH Max. @ 1 MHz
- Interwinding Capacitor: (P2 ~ P3) : (J1 ~ J2): 30pF max. @ 1MHz  
(P4 ~ P5) : (J3 ~ J6): 30pF max @ 1MHz
- DC Resistance: (J1 ~ J2) : (J3 ~ J6): 1.2 Ohms Max.
- Return Loss: 1MHz to 30MHz: -18dB min / 30MHz to 80MHz: -12dB min
- Dielectric Withstanding: (P2 ~ P3) : (J1 ~ J2): (P4 ~ P5) : (J3 ~ J6) :1500VAC
- Insertion Loss: RS=100OHM AND RL=100OHMS  
Output Voltage=1V peak: 3.0ns Max.  
Pulse width=112ns: 3.0ns Max.
- Cross Talk: 1MHz to 100MHz: 40dB Typ.
- Common to Common mode Attenuation 30MHz to 100MHz: 35dB Typ.

**ADAM TECH**

909 Rahway Avenue, Union, NJ 07083  
Phone: 908-687-5000 Fax: 908-687-5710

MODULAR JACK GANGED, 1 PORT, 8P8C  
W/ LED1 ORN / GRN, LED2 YEL, DUAL USB

UNLESS OTHERWISE SPECIFIED TOLERANCES ARE INCHES [MM]	
INCHES	HOLES
.X ± .10	Ø.X ± .10
.XX ± .020	Ø.XXX ± .015
.XXX ± .015	Ø.XXXX ± .010
APPROVALS	
DRAWN	DY
CHECKED	
APPROVED	
DATE 11/19/10	

REF: S00005C	SCALE: NTS	SHEET 2 OF 2
SIZE PART NO.	REV.	
X MTJ-DUSB-88JX1-FS-PG-L1-M128		