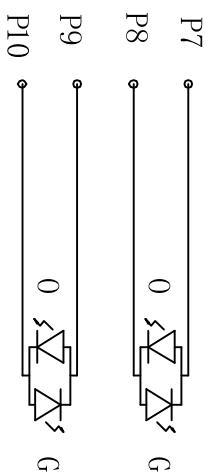
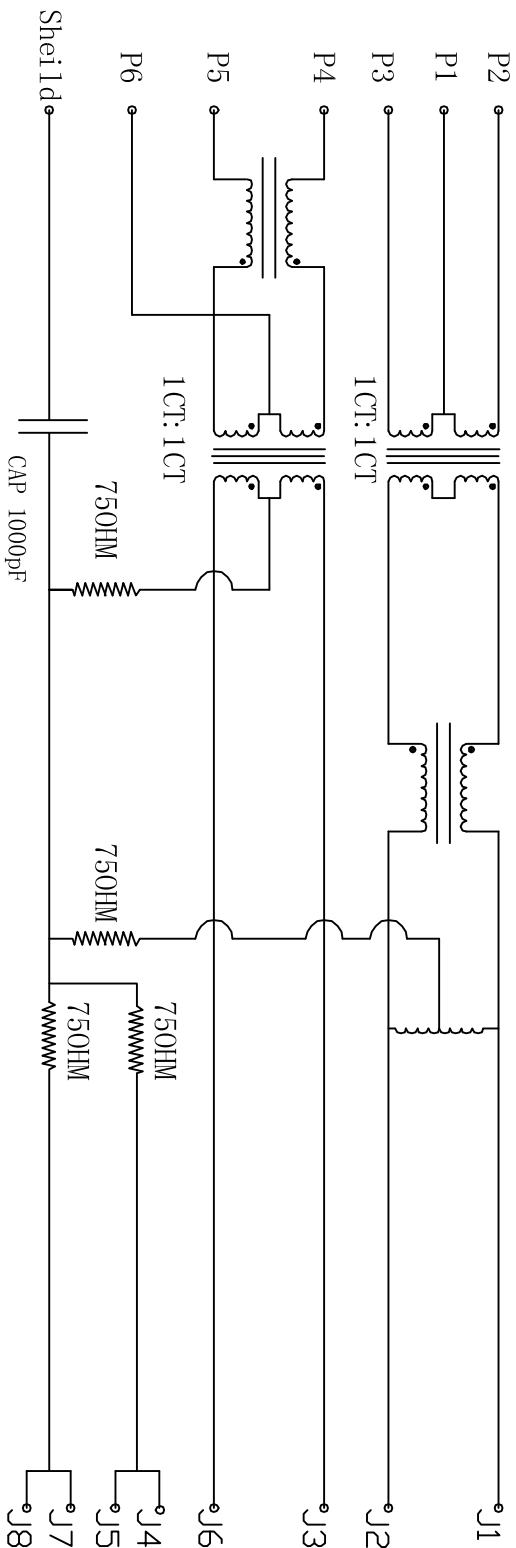


Rev	AWO #	Description	Date	Appr
		SEE SHT 1 OF 2 FOR REVISION		

APPROVED: _____

DATE: _____ TITLE: _____



ELECTRICAL SPECIFICATIONS

- Turns Ratio: (P2 ~ P3) : (J1 ~ J2) 1:1 ±3%
(P4 ~ P5) : (J3 ~ J6) 1:1 ±3%
- Inductance: (P2 ~ P3) 350uH min. @ 0.1V, 100KHZ, 8mA DC Bias
(P4 ~ P5) 350uH min. @ 0.1V, 100KHZ, 8mA DC Bias
- Leakage Inductance: P2 ~ P3 (with J1 and J2 Short): 0.35uH Max. @ 1 MHZ
P4 ~ P5 (with J3 and J6 Short): 0.35uH Max. @ 1 MHZ
- Interwinding Capacitor: (P2 ~ P3) : (J1 ~ J2): 35pF max. @ 1MHZ
(P4 ~ P5) : (J3 ~ J6): 35pF max. @ 1MHZ
- DC Resistance: (J1 ~ J2) : (J3 ~ J6): 1.2 Ohms Max.
- Return Loss: 30MHZ to 30MHZ: -18dB min
30MHZ to 80MHZ: -12dB min
60MHZ to 80MHZ: -18(-20log(f/30))dB MIN (WHERE f IS IN MHZ)
- Dielectric Withstanding: (P2 ~ P3) : (J1 ~ J2): (P4 ~ P5) : (J3 ~ J6) :1500VAC
- Insertion Loss: RS=RL=100OHM : 100KHZ TO 80MHZ : -1.2dB Min.
- Cross Talk: 1MHZ to 100MHZ: -35dB Typ.
- Common to Common mode Attenuation 30MHZ to 100MHZ: -30dB Typ.

ADAM TECH

909 Rahway Avenue, Union, NJ 07083
Phone: 908-687-5000 Fax: 908-687-5710

TITLE: MODULAR JACK GANGED, 1 PORT, 8P8C
W/ LED1 ORN/GRN, LED2 ORN/GRN, DUAL USB

UNLESS OTHERWISE SPECIFIED ALL DIMENSIONS ARE INCHES [MM]	
TOLERANCES: EXCEPT AS NOTED	
INCHES	HOLES
.X ± .10	Ø.X ± .10
.XX ± .020	Ø.XX ± .015
.XXX ± .015	Ø.XXX ± .010
APPROVALS	
DRAWN	DY
CHECKED	
APPROVED	
DATE	6/24/10

SIZE	PART NO.	REV.
X	MTJ-DUSB-88JX1-FS-PG-L1M78	
REF:	S00005C	
SCALE:	NTS	
SHEET	2 OF 2	