

6

5

4

3

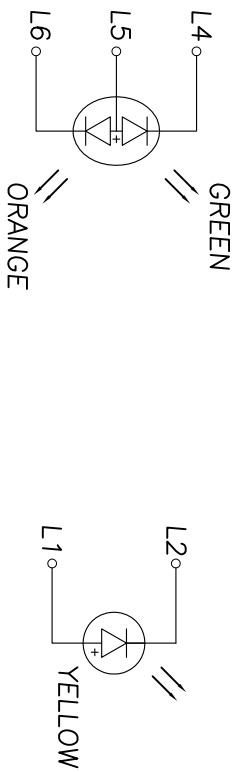
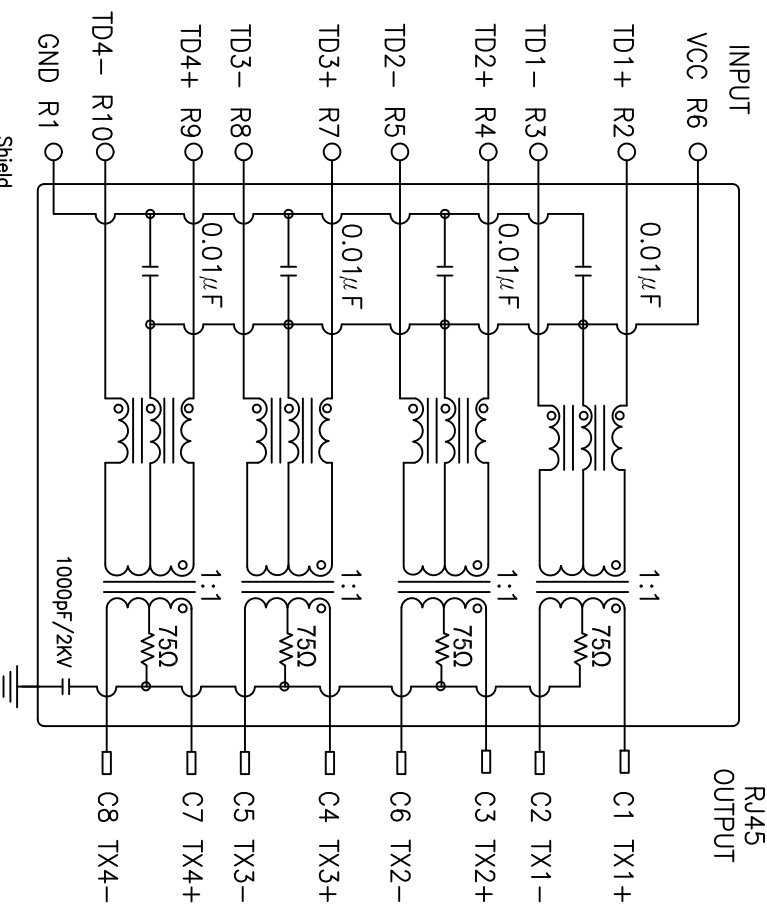
2

1

APPROVED: _____

DATE: _____ TITLE: _____

Rev	AWO #	Description	Date	Appr
		SEE SHT 1 OF 2 FOR REVISION		



SPECIFICATIONS:

Transmitter filter & Receiver filter
 Type: Balance low pass 100Ω impedance
 Insertion loss: 1~100MHz-1.0dB MAX.
 100~125MHz-1.2dB MAX.
 Return loss: 1~30MHz-18dB MIN. load 100Ω
 30~60MHz-16dB MIN. load 100Ω
 60~80MHz-12dB MIN. load 100Ω
 80~100MHz-10dB MIN. load 100Ω

Common Mode Rejection
 @1~100MHz-30dB MIN.
 Cross Talk
 @1~100MHz-30dB MIN.
 INDUCTANCE@100KHz, 0.1V, 8mA DC BIAS
 Input(R2-R3), Input(R4-R5): 350uH MIN.
 Input(R7-R8), Input(R9-R10): 350uH MIN.
 Hipot TEST
 Input(R2-R3) to Output(C1-C2): 1500 VAC, 60sec or 2250VDC, 60sec
 Input(R4-R5) to Output(C3-C6): 1500 VAC, 60sec or 2250VDC, 60sec
 Input(R7-R8) to Output(C4-C5): 1500 VAC, 60sec or 2250VDC, 60sec
 Input(R9-R10) to Output(C7-C8): 1500 VAC, 60sec or 2250VDC, 60sec

ADAM TECH

909 Rahway Avenue, Union, NJ 07083
 Phone: 908-687-5000 Fax: 908-687-5710

MODULAR JACK 8P8C & DUAL USB GANGED
 W/ LED1 GRN/ORN/YEL, LED2 YELLOW

UNLESS OTHERWISE SPECIFIED ALL DIMENSIONS ARE INCHES [MM]	
TOLERANCES: EXCEPT AS NOTED	
INCHES	
.X ±.10	Ø.X
.XX ±.020	Ø.XXX
.XXX ±.015	Ø.XXX
APPROVALS	DATE
DRAWN	DY
CHECKED	
APPROVED	

SIZE	PART NO.	REV.
X	MTJ-DUSB-88JX1-FS-PG-L28-M66	-
REF:	S00073T	SCALE: NTS
		SHEET 2 OF 2

6

5

4

3

2

1