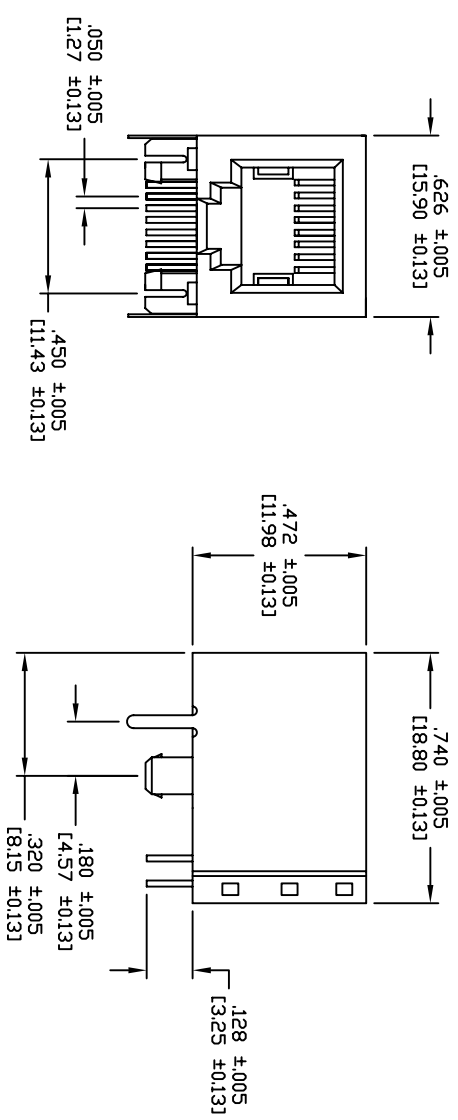
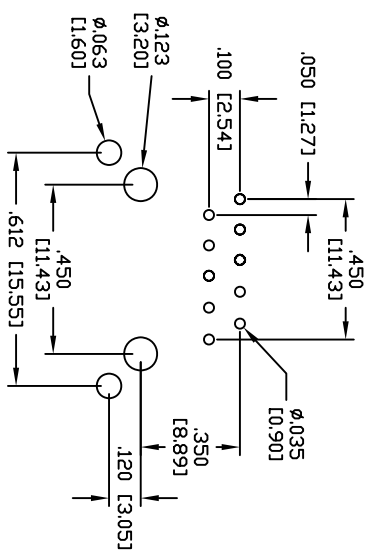


Rev	AWO #	Description	Date	Appr
-		RELEASED	01/30/06	

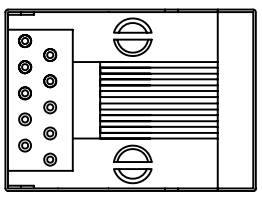
APPROVED: _____
 DATE: _____ TITLE: _____



X	PLATING
0	15 µin Gold
1	30 µin Gold
2	50 µin Gold



RECOMMENDED
PCB LAYOUT



SPECIFICATIONS:

Material:
 Insulator: PBT, rated UL 94V-0
 Insulator color: Black
 Contacts: Phosphor Bronze
 Shield: Phosphor Bronze, tin plated
 Plating:
 Gold over Nickel underplate on contact area, Tin over
 Copper underplate on PCB tails
 Electrical:

Operating voltage: 150 VAC max
 Current rating: 1.5 Amps max
 Contact resistance: 20 mohms max
 Insulation resistance: 500 Mohms min @ 500 VDC
 Dielectric withstanding voltage: 1000 VAC for 1 minute
 Temperature Rating:
 Operating temperature: -40°C to +125°C
 Environmental:

Lead free, RoHS compliant.
 Recommended soldering temp: 235 for 5 sec.



ADAM TECH

909 Rahway Avenue, Union, NJ 07083
 Phone: 908-687-5000 Fax: 908-687-5710

MODULAR TELEPHONE JACK, 8P8C
 RIGHT ANGLE, PCB, FULL SHIELD

UNLESS OTHERWISE SPECIFIED ALL DIMENSIONS ARE INCHES [MM]	
TOLERANCES: EXCEPT AS NOTED	
INCHES	HOLDS
.X ±.010	ØXX ±.010
.XX ±.005	ØXXX ±.005
.XXX ±.002	ØXXXX ±.002
APPROVALS	DATE
DRAWN	SS
CHECKED	
APPROVED	

SIZE	PART NO.	REV.
X	MTJ-88WX1-FSB	-
SCALE: NTS	SHEET 1 OF 1	