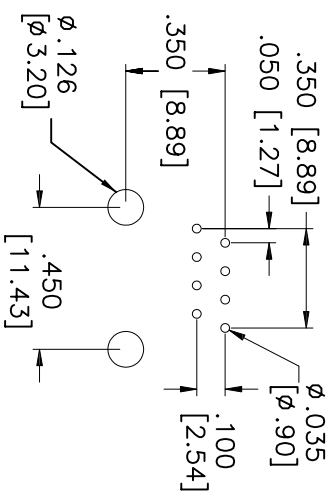
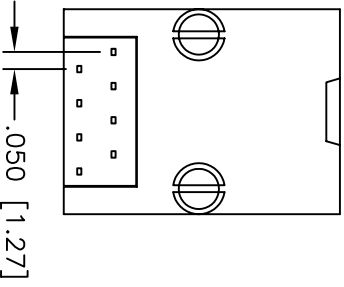
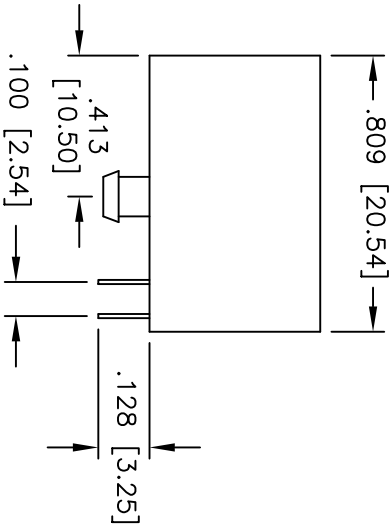
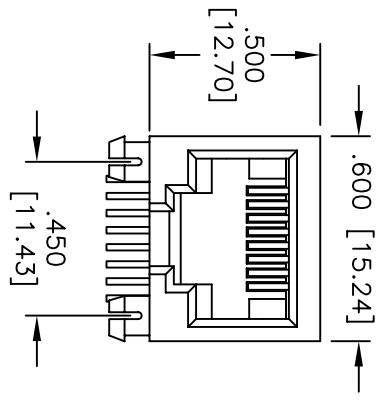


Rev	AWO #	Description	Date	Appr
-		RELEASED	10/4/04	

APPROVED: _____
 DATE: _____ TITLE: _____



X	PLATING
0	15 µin Gold
1	30 µin Gold
2	50 µin Gold

PC BOARD LAYOUT

SPECIFICATIONS:

Material: Insulator: PBT, rated UL 94V-0
 Insulator color: Black
 Contacts: Phosphor Bronze
 Plating: Gold over Nickel underplate on contact area, Tin over Copper underplate on PCB tails

Electrical:
 Operating voltage: 150 VAC max
 Current rating: 1.5 Amps max
 Contact resistance: 20 mohms max @ 500 VDC
 Insulation resistance: 500 Mohms min @ 500 VDC
 Dielectric withstanding voltage: 1000 VAC for 1 minute
 Temperature Rating: Operating temperature: -40°C to +125°C

Environmental:
 Lead free, RoHS compliant.
 Recommended soldering temp: 235 for 5 sec.



ADAM TECH

909 Railway Avenue, Union, NJ 07083
 Phone: 908-687-5000 Fax: 908-687-5710

MODULAR TELEPHONE JACK, 8P8C
 RIGHT ANGLE, CATEGORY 5

UNLESS OTHERWISE SPECIFIED ALL DIMENSIONS ARE INCHES [MM]	
TOLERANCES: EXCEPT AS NOTED	
INCHES	HOLDS
.X ± .10	ØXX ± .10
.XX ± .020	ØXXX ± .015
.XXX ± .015	ØXXX ± .010
APPROVALS	DATE
DRAWN	SS
CHECKED	10/4/04
APPROVED	

SIZE	PART NO.	REV.
X	MTJ-88TX1	

SCALE: NTS SHEET 1 OF 1