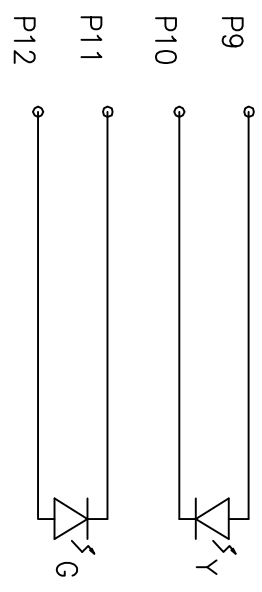
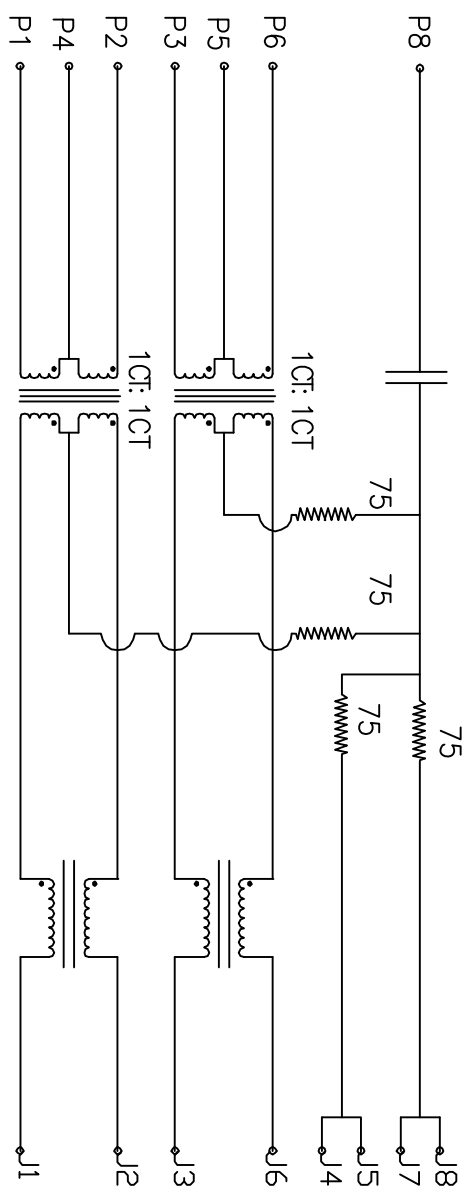


Rev	AWO #	Description	Date	Appr
		SEE SHT 1 OF 2 FOR REVISION		

APPROVED: _____

DATE: _____ TITLE: _____



ED ELECTRICAL SPECIFICATIONS:

- Turns Ratio: (P1 ~ P2) : (J1 ~ J2) 1:1 ±3%
(P3 ~ P6) : (J3 ~ J6) 1:1 ±3%
- Inductance: (P1 ~ P2) 350uH min. @ 0.1V, 100KHZ, 8mA DC Bias
(P3 ~ P6) 350uH min. @ 0.1V, 100KHZ, 8mA DC Bias
- Leakage Inductance: P1 ~ P2 (with J1 and J2 Short): 0.35uH Max. @ 1 MHz
P3 ~ P6 (with J3 and J6 Short): 0.35uH Max. @ 1 MHz
- Interwinding Capacitance: (P1 ~ P2) : (J1 ~ J2): 35pF max. @ 1MHZ
(P3 ~ P6) : (J3 ~ J6) : 1:2 Ohms Max.
- DC Resistance: (J1 ~ J2):(J3 ~ J6) :1:2 Ohms Max.
- Return Loss: 1MHZ to 30MHZ: -18dB min / 30MHZ to 80MHZ: -12dB min
- Dielectric Withstanding: (P1~P2) : (J1~J2) :1500VAC
(P3~P6) : (J3~J6) :1500VAC
- Insertion Loss: RS=RL=1000OHM : 100KHZ TO 80MHZ : 1.1dB Min.
- Cross Talk: 1MHZ to 100MHZ: 35dB Typ.
- Common to Common mode Attenuation 30MHZ to 100MHZ: 30dB Typ.

ADAM TECH

909 Rahway Avenue, Union, NJ 07083
Phone: 908-687-5000 Fax: 908-687-5710

MODULAR JACK GANGED, 1 PORT, 8P8C
W/ LED1 YELLOW, LED 2 GREEN

UNLESS OTHERWISE SPECIFIED ALL DIMENSIONS ARE INCHES [MM]		TOLERANCES: EXCEPT AS NOTED	
.X	± .10	Ø.X	± .10
.XX	± .020	Ø.XXX	± .015
.XXX	± .015	Ø.XXXX	± .010
APPROVALS		DATE	
DRAWN	DY	6/24/10	
CHECKED			
APPROVED			
SIZE	PART NO.	TITLE	REV.
X	MTJ-88TX1-FSZ-PG-D1G-M81	MODULAR JACK GANGED, 1 PORT, 8P8C W/ LED1 YELLOW, LED 2 GREEN	-
REF:	S0005C	SCALE:	NTS
		SHEET	2 OF 2