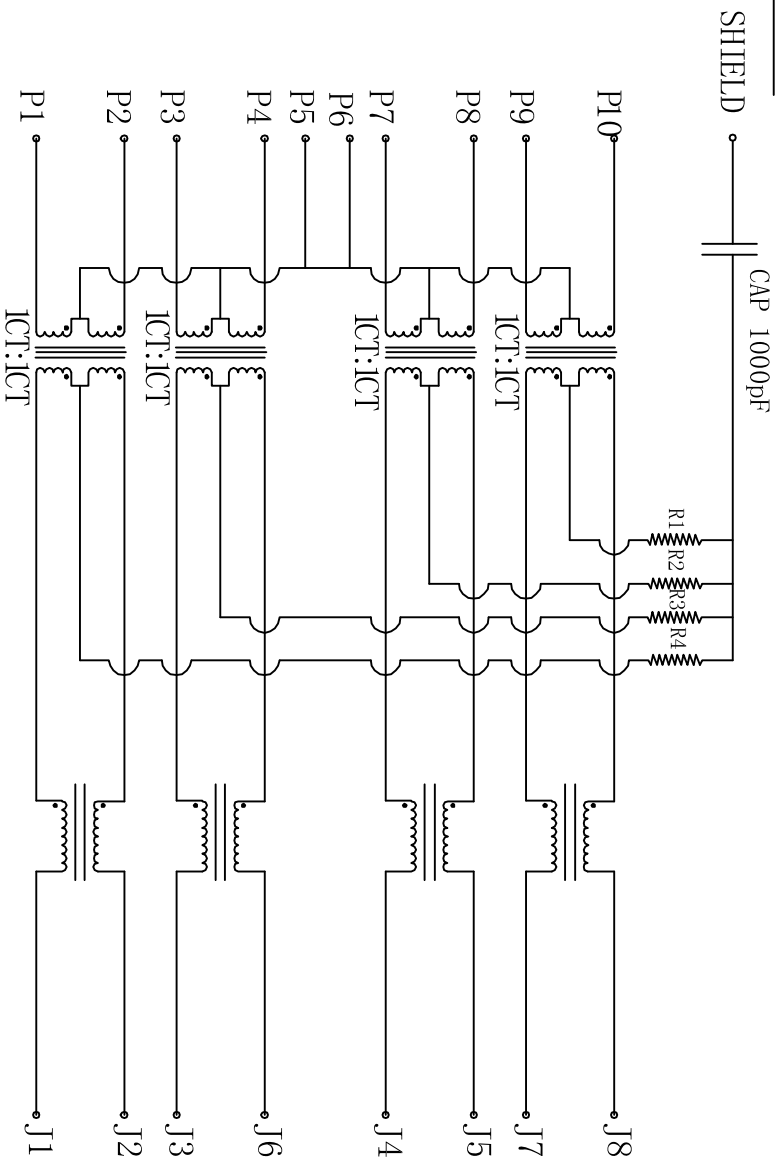


Rev	AWO #	Description	Date	Appr
		SEE SHT 1 OF 2 FOR REVISION		

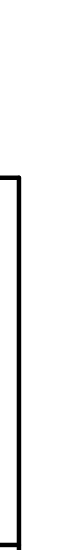
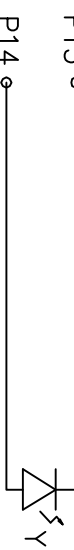
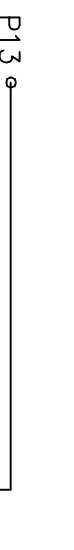
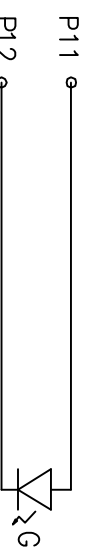
APPROVED: _____

DATE: _____ TITLE: _____



ELECTRICAL SPECIFICATIONS

- Turns Ratio: (P1 ~ P2) : (J1 ~ J2) : 1:1 ±3%
 (P3 ~ P4) : (J3 ~ J6) : 1:1 ±3%
 (P7 ~ P8) : (J4 ~ J5) : 1:1 ±3%
 (P9 ~ P10) : (J7 ~ J8) : 1:1 ±3%
- Inductance: (P1 ~ P2) 350uH min. @ 0.1V, 100KHZ, 8mA DC Bias
 (P3 ~ P4) 350uH min. @ 0.1V, 100KHZ, 8mA DC Bias
 (P7 ~ P8) 350uH min. @ 0.1V, 100KHZ, 8mA DC Bias
 (P9 ~ P10) 350uH min. @ 0.1V, 100KHZ, 8mA DC Bias
- Leakage Inductance: P1 ~ P2 (with J1 and J2 Short): 0.35uH Max. @ 1 MHz
 P3 ~ P4 (with J3 and J6 Short): 0.35uH Max. @ 1 MHz
 P7 ~ P8 (with J4 and J5 Short): 0.35uH Max. @ 1 MHz
 P9 ~ P10 (with J7 and J8 Short): 0.35uH Max. @ 1 MHz
- Interwinding Capacitor: (P1 ~ P2) : (J1 ~ J2): 105pF max. @ 1MHz
 (P3 ~ P4) : (J3 ~ J6): 105pF max. @ 1mhz
 (P7 ~ P8) : (J4 ~ J5): 105pF max. @ 1mhz
 (P9 ~ P10) : (J7 ~ J8): 105pF max. @ 1mhz
- DC Resistance: (J1 ~ J2) : (J3 ~ J6) : 1500V AC
 (P7~P8) : (J4~J5) : (P9~P10): (J7~J8): 1500V AC
- Return Loss: 1MHz to 30MHz: -12dB Max
 30MHz to 80MHz: -18dB Max
- Dielectric Withstanding: (P1~P2) : (J1~J2) : (P3~P4) : (J3~J6) : 1500V AC
 (P7~P8) : (J4~J5) : (P9~P10): (J7~J8): 1500V AC
- Insertion Loss: RS=RL=1000OHM : 100KHZ TO 80MHZ : -1.1dB Min.
- Cross Talk: 1MHZ to 100MHZ: 35dB Typ.
- Common to Common mode Attention 30MHZ to 100MHZ: 30dB Typ.



UNLESS OTHERWISE SPECIFIED
 ALL DIMENSIONS ARE INCHES [MM]
 TOLERANCES: EXCEPT AS NOTED
 INCHES HOLES
 .X ±.10 Ø.XX ±.10
 .XX ±.020 Ø.XXX ±.015
 .XXX ±.015 Ø.XXX ±.010

ADAM TECH
 909 Ratway Avenue, Union, NJ 07083
 Phone: 908-687-5000 Fax: 908-687-5710

MODULAR JACK GANGED, 1 PORT, 8P8C
 W/LED1 GREEN, LED2 YELLOW

DRAWN	DY	12/09/10	SIZE	PART NO.	REV.
CHECKED			X	MTJ-88TX1-FSZ-D1H-M21	
APPROVED			REF:	S00005C	SHEET 2 OF 2