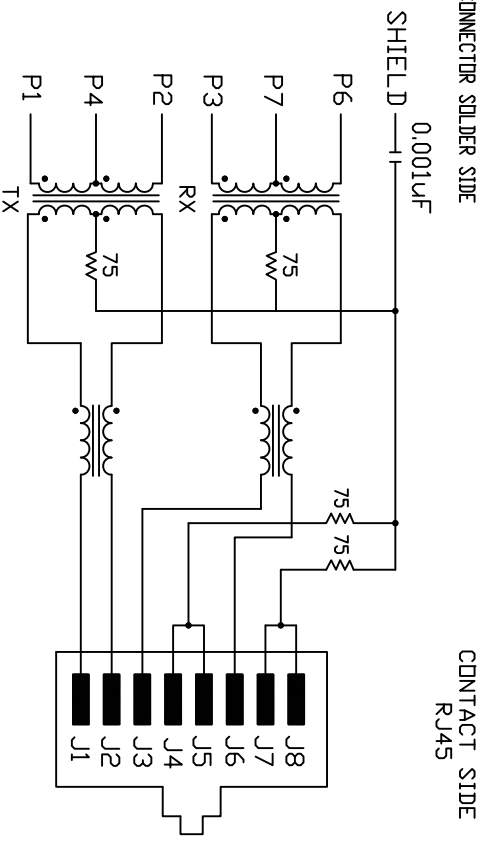


Specification :

Item	Parameter	Condition	Min.	Typ.	Max.	Unit	REMARK
1	Insertion loss	@1-100 MHz			-1.0	dB	
		@1-30 MHz	-16			dB	
2	Return loss	@30-60 MHz				dB	NOTE 1
		@60-80 MHz	-10			dB	
3	DCL	100 KHz	350			μ H	
4	Crosstalk	@1-60 MHz	-40			dB	
		@60-100 MHz	-38			dB	
5	CMRR(TX/RX)	@1-60 MHz	-45/40			dB	
		@60-100 MHz	-35			dB	
6	Hipot	Vrms	1.5			KV	
7	Turns Ratio (Chip : Cable)	TX: 1 : 1 RX: 1 : 1				CT	
8	Direct Current resistance					Ω	

*NOTE 1: Greater than (16-20 Log (f/30MHz)) dB.



CONNECTOR SCHEMATIC

UNLESS OTHERWISE SPECIFIED ALL DIMENSIONS ARE INCHES [MM] TOLERANCES: EXCEPT AS NOTED		ADAM TECH 909 Rahway Avenue, Union, NJ 07083 Phone: 908-687-5000 Fax: 908-687-5710	
INCHES .X ±.10 .XX ±.020 .XXX ±.015	Holes Ø.X ±.10 Ø.XXX ±.015	DATE 2/22/10	TITLE MODULAR JACK GANGED, 1 PORT, 8P8C PCB TYPE
DRAWN DY	CHECKED	APPROVED	REV.
SIZE X	PART NO. MTJ-88TX1-FS-PGF-PG-M14	SCALE NTS	SHEET 2 OF 2
REV.	REF: S00065T	SCALE NTS	SHEET 2 OF 2