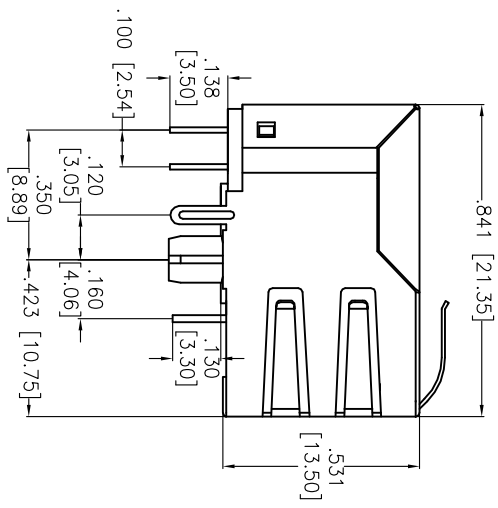
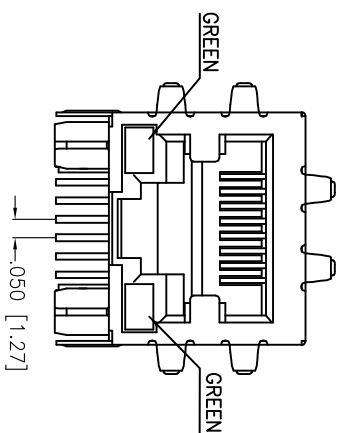
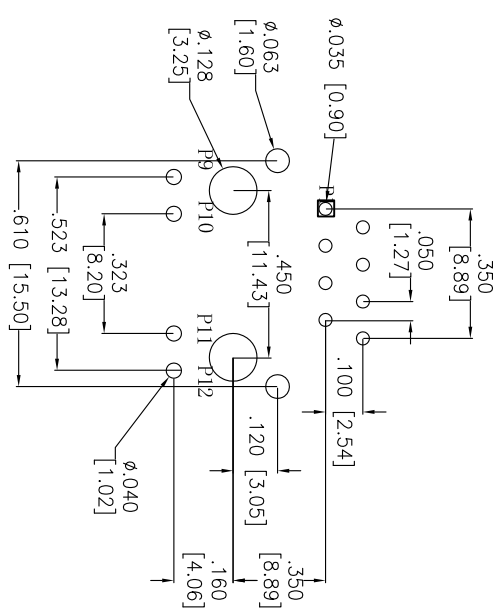
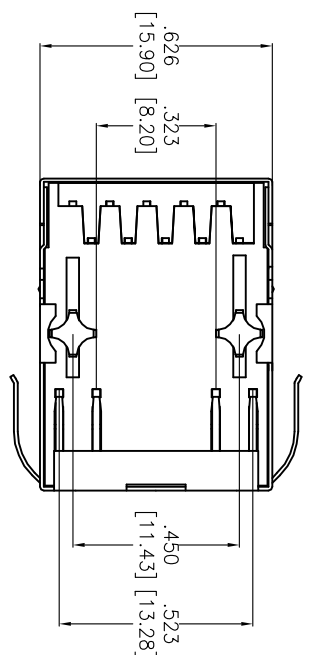


Rev	AWO #	Description	Date	Appr
-		RELEASED	10/1/10	

APPROVED: \_\_\_\_\_  
 DATE: \_\_\_\_\_ TITLE: \_\_\_\_\_



X	PLATING
0	15 μin Gold
1	30 μin Gold
2	50 μin Gold

**SPECIFICATIONS:**

Material: Insulator: Hi-temp thermoplastic, rated UL 94V-0

Insulator color: Black

Contacts: Copper Alloy

Shield: Copper Alloy, Nickel plated

Contact Plating: Gold Flash over Nickel underplate on contact area, Tin over Copper underplate on tails

(See chart for thickness).

Electrical: Operating voltage: 150 VAC max

Current rating: 1.5 Amps max

Contact Resistance: 20 mohms max. initial

Insulation resistance: 500 Mohms min @ 500 VDC

Dielectric withstanding voltage: 1000 VAC for 1 minut

Temperature Rating: Operating temperature: 0°C to +70°C

Environmental: Lead free, RoHS compliant. Recommended soldering temp: 260°C for 5 sec.



RECOMMENDED PCB LAYOUT

**ADAM TECH**

909 Ratway Avenue, Union, NJ 07083  
 Phone: 908-687-5000 Fax: 908-687-5710

TITLE: MODULAR JACK GANGED, 1 PORT, 8P8C  
 W/ LED1 GREEN, LED2 GREEN

UNLESS OTHERWISE SPECIFIED  
 ALL DIMENSIONS ARE INCHES [MM]  
 TOLERANCES: EXCEPT AS NOTED

INCHES	HOLES
.X ± .10	Ø.X ± .10
.XX ± .020	Ø.XXX ± .015
.XXX ± .015	Ø.XXX ± .010

APPROVALS	DATE
DRAWN AY	10/1/10
CHECKED AW	10/1/10
APPROVED	

SIZE	PART NO.	REV.
X	MTJ-88TX1-FSE-PG4D-HT	A

REF: S0005C SCALE: NTS SHEET 1 OF 2