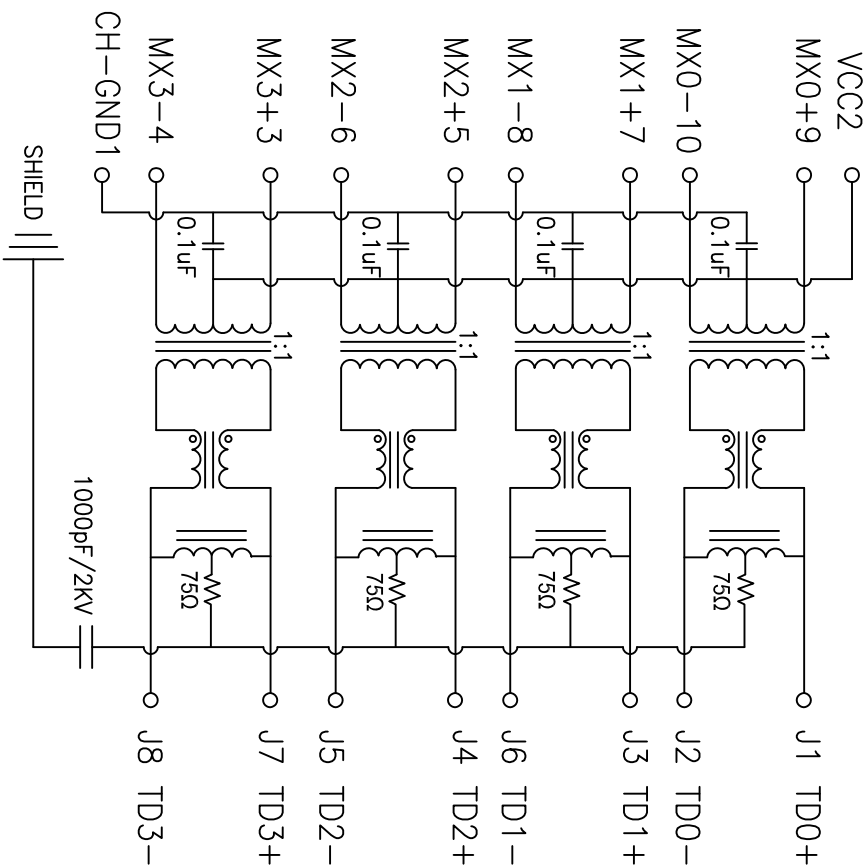


Rev	AWO #	Description	Date	Appr
		SEE SHT 1 OF 2 FOR REVISION		

APPROVED: _____

DATE: _____ TITLE: _____

PC BOARD CONNECTIONS



RJ45 CONNECTOR

SPECIFICATIONS:

1. Turn Ratio:
TX=1:1 RX=1:1
2. Return Loss(dB Min):
0.5-40MHz:-18
40.1-100MHz:-12-20 LOG(f/80)
3. Cross talk(dB Min):
0.5-40MHz:-35
40.1-100MHz:-33-20 LOG(f/50)
4. Insertion Loss:
0.5-100MHz:-1.1dB Max
5. Common Mode Rejection Ratio:
0.5-100MHz:-30dB Min
7. OCL:@100KHz,0.1Vrms,8mA DC Bias:
350uH Min.
8. HIPOT: 1500Vrms MIN

ADAM TECH

909 Rahway Avenue, Union, NJ 07083
Phone: 908-687-5000 Fax: 908-687-5710

TITLE: MODULAR JACK GANGED, 1PORT, 8P8C
W/LED1 GREEN/ORANGE, LED2 YELLOW

UNLESS OTHERWISE SPECIFIED ALL DIMENSIONS ARE INCHES [MM] TOLERANCES: EXCEPT AS NOTED	
INCHES	HOLES
.X ±.10	Ø.X ±.10
.XX ±.020	Ø.XXX ±.015
.XXX ±.015	Ø.XXX ±.010
APPROVALS	DATE
DRAWN DY	4/20/10
CHECKED	
APPROVED	

REF: S00043C	SCALE: NTS	SHEET 2 OF 2
SIZE X	PART NO. MTJ-88TX1-FSD-PG-VLL-M92	REV. -